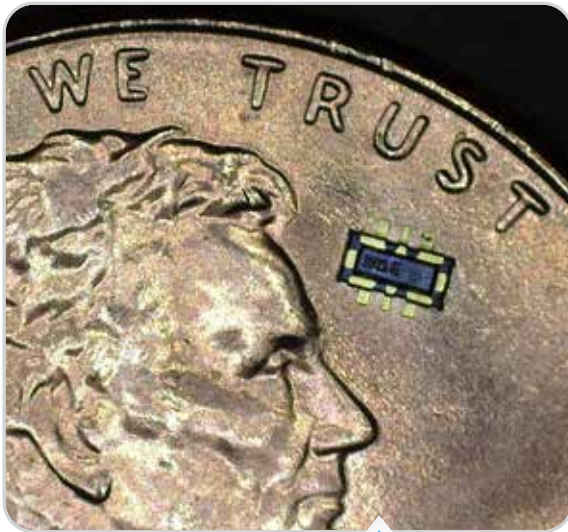


# BM29 Series

## Ultra Compact Hybrid Board to FPC Connectors

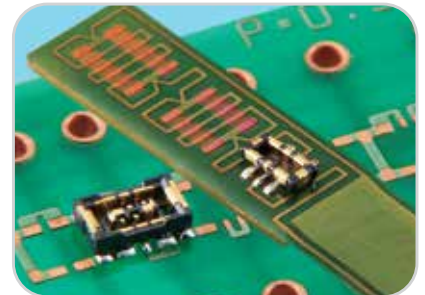
### Features:

- ▶ The world smallest FPC connector enables size reduction and flexible design of mobile devices.
- ▶ Features hybrid power/signal contacts  
- Rated current: 3 Amps for power, 0.3 Amps for signal
- ▶ Unique metal guides prevent the housing damage due to offset mating.
- ▶ Secure mating with clear tactile click
- ▶ RoHS compliant, Halogen-free



0.35 MM PITCH ULTRA LOW-PROFILE  
HIGH DENSITY FPC CONNECTOR

Pitch: 0.35 mm  
Depth: 1.5 mm  
Stacking Height: 0.6 mm

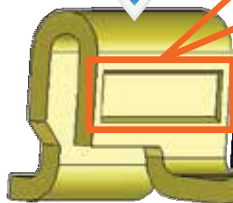


## Clear Tactile Click & Positive Lock

Contact design to provide clear tactile mate

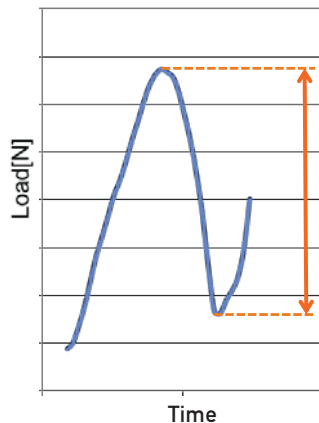


Dimple  
for lock



Dimple for lock on the receptacle contact provides:  
1. Secure retention of mated pair  
2. Clear tactile click

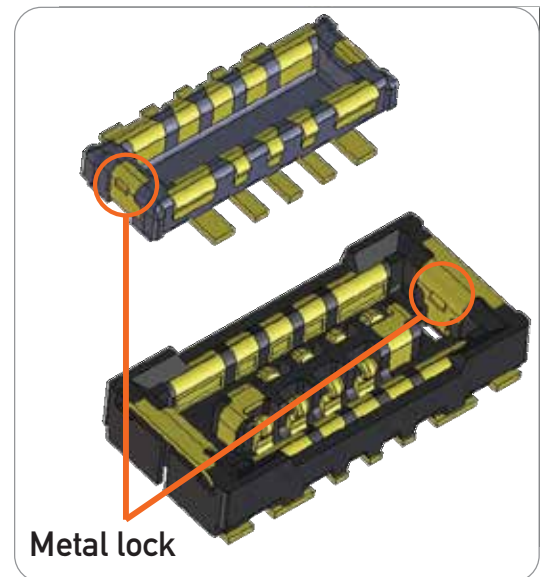
### Insertion Force



Steep drop  
of the load

Clear  
Tactile click

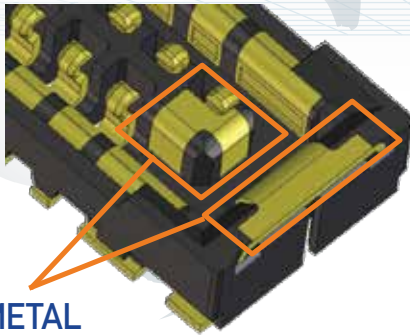
Retention force is  
enhanced by metal locks



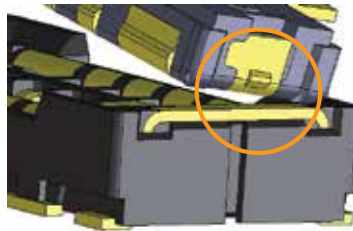
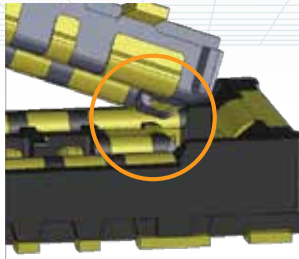
Metal lock

# Robust Structure

Metal receptacle guides improves mating robustness.



METAL GUIDES



Prevents housing damage due to offset mating

If the header and the receptacle are mated incorrectly, the metal design prevents the housing from being damaged.

## Part Number System

### Receptacle

BM 29B 0.6 - \* DS/2 - 0.35 V (51)

1 2 3 4 5 6 7 8 9

- 1 Series Name: BM
- 2 Series No.: 29B
- 3 Stacking Height
- 4 Signal Contact No. of Pos.: 2
- 5 Connector Type DS: Receptacle
- 6 Power Contact No. of Pos.: 2
- 7 Contact Pitch: 0.35 mm
- 8 Terminal Type V: Straight SMT
- 9 Gold Plating Specification and Packaging Style (51): Gold plating thickness 0.05 μm Tape and reel (20,000 pcs/reel)

### Header

BM 29B - \* DP/2 - 0.35 V (51)

1 2 3 4 5 6 7 8

- 1 Series Name: BM
- 2 Series No.: 29B
- 3 Signal Contact No. of Pos.: 2
- 4 Connector Type DP: Header
- 5 Power Contact No. of Pos.: 2
- 6 Contact Pitch: 0.35 mm
- 7 Terminal Type V: Straight SMT
- 8 Gold Plating Specification and Packaging Style (51): Gold plating thickness 0.05 μm Tape and reel (20,000 pcs/reel)

## Specifications

### MATERIAL AND FINISH

Component	Material	Finish, Remarks
Housing	LCP*1	UL94V-0, Black
Contact	Copper Alloy	Gold plated over Nickel under plating

\*1: This product satisfies halogen free requirements defined as 900 ppm maximum chlorine, 900 ppm maximum bromine, and 1500 ppm maximum total of chlorine and bromine.

### PERFORMANCE CHARACTERISTICS

Rated Current	Power Contact: 3 Amps, Signal Contact: 0.3 Amps*2
Rated Voltage	30 V AC/DC
Operating Temperature	-40 to +85 °C*2
Contact Resistance	Power Contact: 30 mΩ, Signal Contact: 100 mΩ (Measured at 20 mV AC, 1 kHz, 1 mA)
Withstanding Voltage	150 V AC for 1 minute
Insulation Resistance	1000 MΩ MIN. (100 V DC)
Durability	10 times

\*2: Includes temperature rise by current flow.



For additional information please go to <https://www.hirose.com/product/en/products/BM29/>  
 Specifications herein are subject to change without notice. Contact Hirose for latest specifications, drawings, or availabilities.