

CX70 Series

Minimized size USB Type-C Connector

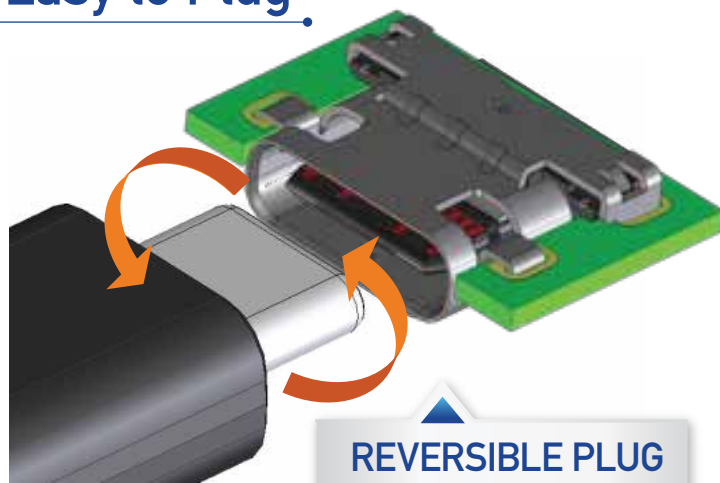


MID-MOUNT TYPE
TYPE C

Features:

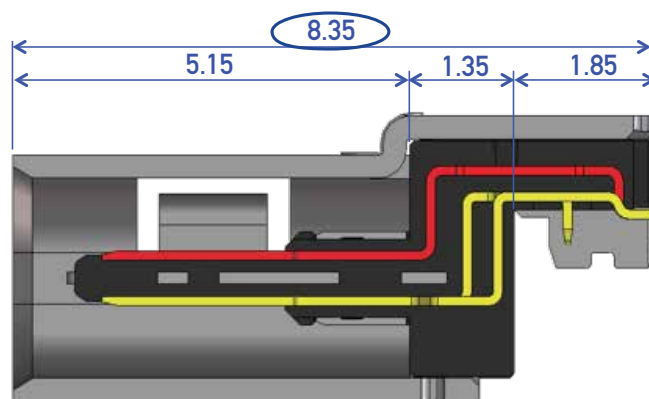
- ▶ Type-C interface connector
- ▶ Mid-mount & shortened length design, produces small package size
- ▶ Hybrid PCB layout supports ease of repair
- ▶ Ease of use, 180° plug insertion
- ▶ USB Type-C compliant interface connector (TID no. in process)
- ▶ USB 3.1 Gen1 (5Gbps), high speed transmission

Easy to Plug

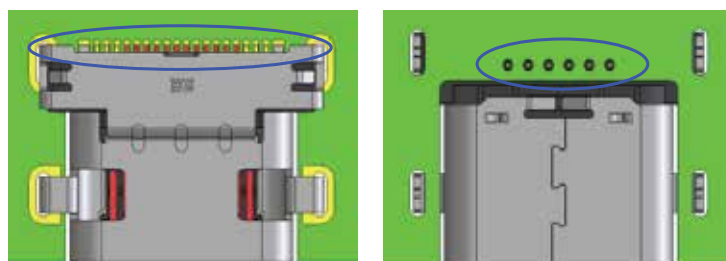


REVERSIBLE PLUG
INSERTION

Shortened Shell Length

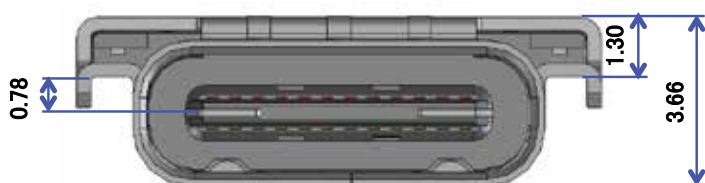


Hybrid PCB Layout



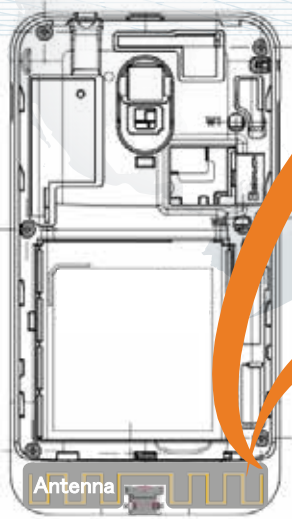
Hybrid SMT/through hole layout
supports easy repair

Mid-Mount Design

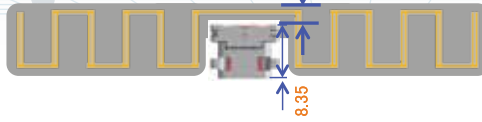


Allows for efficient antenna design

Part Number
CX70M-24P1

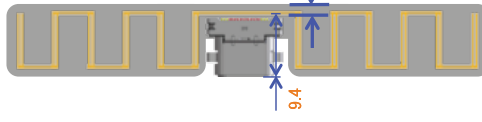


CX70 Series

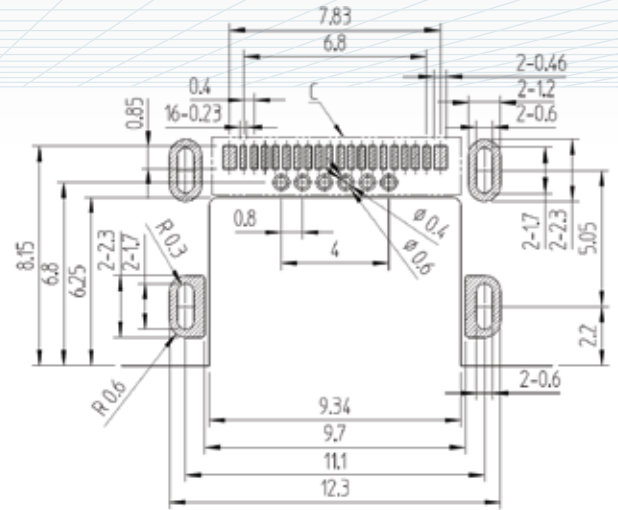


8.35mm slimmest design supports easier antenna design and also easy to secure larger battery capacity.

Other Type-C products



Other Type-C connectors are longer (9.4 mm), limits space for antenna design and battery capacity.



RECOMMENDED PCB PATTERN

Specifications

| MATERIAL AND FINISH | | |
|---------------------|-----------------|---|
| Item | Material | Finish |
| Housing | LCP | Black/ UL94V-0 |
| Contact | Copper alloy | Contact area: Gold plating over Palladium Nickel over Nickel under plating Solder area: Gold plating over Nickel under plating |
| Shell | Stainless Steel | Nickel |
| Packaging | Tape & Reel | |

| PERFORMANCE CHARACTERISTICS | |
|-----------------------------|------------------------------|
| Operating Temperature Range | -30°C to +85°C |
| Rated Current | Collectively 5A per USB spec |
| Rated Voltage | 2V AC |
| Insulation Resistance | 100 MΩ Min. (500 V DC) |
| Withstanding Voltage | 100V AC for 1 minute |
| Contact Resistance | 40 mΩ max. |
| Mating Cycles | 10,000 times |



RoHS compliant

For additional information please go to <https://www.hirose.com/product/en/products/CX70/>
Specifications herein are subject to change without notice. Contact Hirose for latest specifications, drawings, or availabilities.