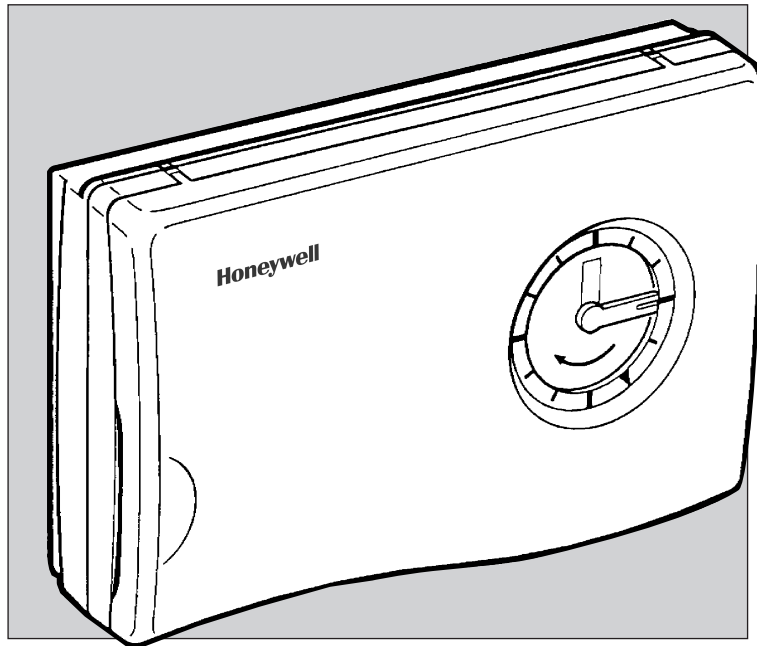


ANALOGUE PROGRAMMABLE THERMOSTAT

CM31/CM37

FEATURES

- Simple setting dials
- Large analogue clock display
- Choice of operating modes
- Battery powered
- Long battery life
- 1 day and 7 day versions
- Proportional + Integral control action
- Frost protection
- Comfort and economy temperature levels
- Volt free connections
- 24 or 230VAC



APPLICATION

The CM30 range of programmable thermostats are designed to provide automatic time and temperature control of heating systems in the home.

CM31 is a simple to use battery powered analogue programmable thermostat with electronic temperature control and 1 day programming capability.

CM37 is similar, but with a 7 day clock.

HEATING CONTROLS

Honeywell

4.1

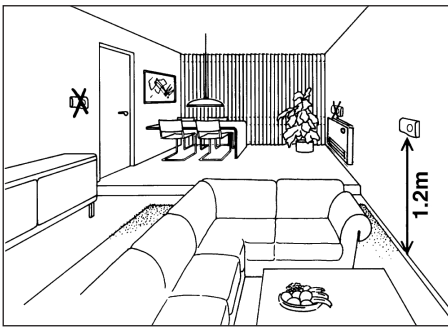
ANALOGUE PROGRAMMABLE THERMOSTAT CM31/CM37

Installation

The **CM30** range can either be surface or flush switch box mounted. The wiring sub-base has access to suit single switch boxes.

Do not position the thermostats near sources of heat (direct sunlight, radiators, vents, TV or lights), they must be located in a position with good air circulation, at average room temperature.

Fixing screws are supplied for either surface or flush mounting box.



Ordering Specification

T6631B1005

CM31 1 day programmable thermostat complete with batteries, fixing screws and instructions

T6637B1009

CM37 7 day programmable thermostat complete with batteries, fixing screws and instructions

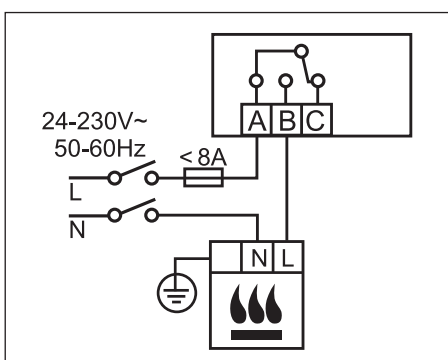
R42009899-001

Replacement 1 day clock module for the CM31

R42009899-002

Replacement 7 day clock module for the CM37

Wiring



Specification

Switch Rating	: 230V~, 50Hz, 0.5A to 8A resistive : 24V~, 50Hz, 0.5A to 8A resistive
Switch Type	: Single pole, double throw (SPDT) relay
Power Supply	: Two AA size, LR6, 1.5V alkaline batteries
Temperature Setting - Comfort	: 10 to 30°C (Manual setting)
- Economy	: 5 to 25°C (Manual Setting)
Operating Modes	: Automatic/manual by slider switch : Comfort or economy setting in auto
Temperature Control	: P+I fixed rate of 6 cycles/hr
Clock Accuracy	: ± 1 second per day @ 25°C
Time Setting Resolution	: Time of day: 1 minute : Programme time changes: 10 minutes
Operating Temperature Range	: 0 to 40°C
Operating Humidity Range	: 0 to 90% RH, non-condensing
Storage Conditions	: -20 to 55°C
Time Display	: Analogue quartz crystal
Standards	: Complies with BS EN60730-2-7 & BS EN60730-2-9
EC Directive	: Conforms to 89/336/EEC & 73/23/EEC

Dimensions (mm)

