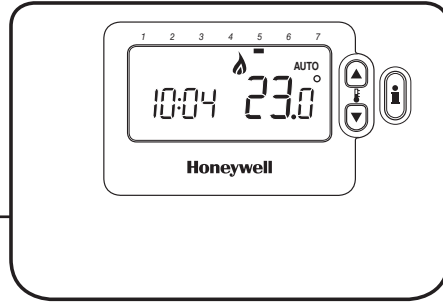


CM707

Programmable Room Thermostat with Optimum Start, Optimum Stop and Delayed Start

Installation Guide



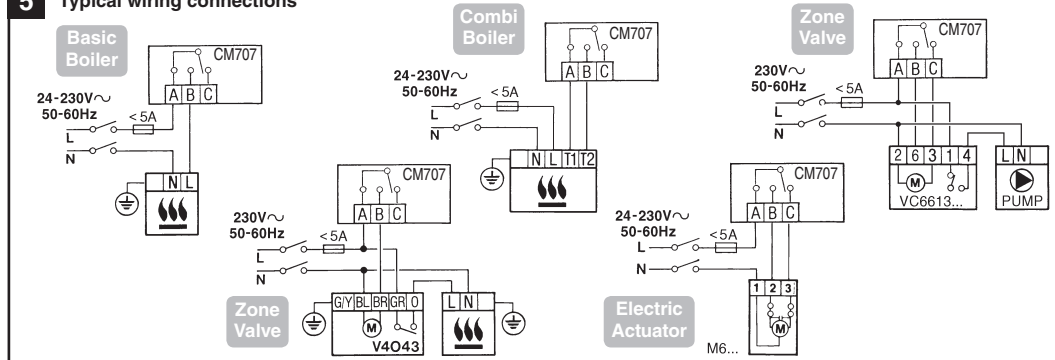
The Honeywell CM707 is a modern 7-day programmable room thermostat based on Honeywell's proven programming philosophy. To further enhance energy saving potential without sacrificing daily comfort the thermostat features optimum start, optimum stop and delayed start to optimise heating system operation.

This product has been designed with your environment in mind! Please respect this by disposing of all packaging, used parts and eventually the product itself in an environmentally friendly manner.

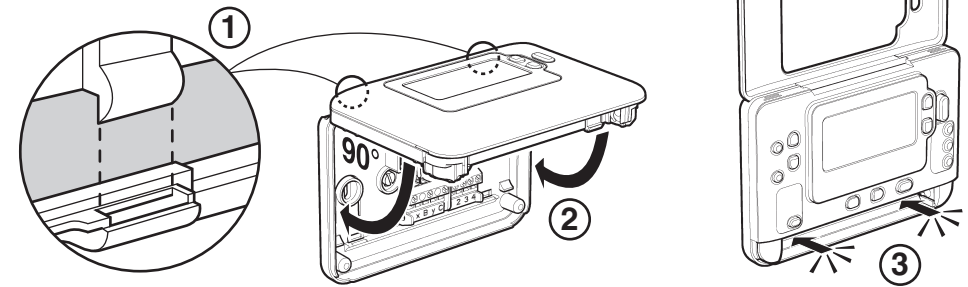
Please follow the illustrations below to install the thermostat correctly.



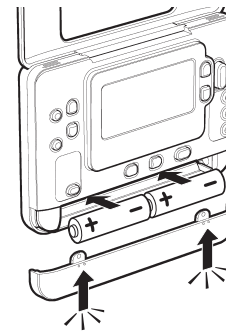
5 Typical wiring connections



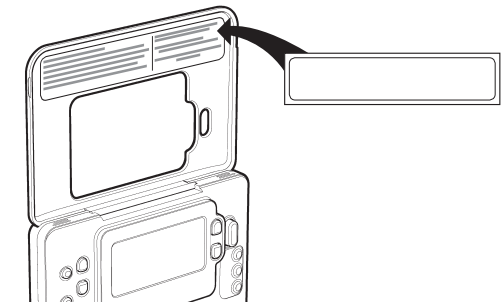
6 Attach the cover to backplate



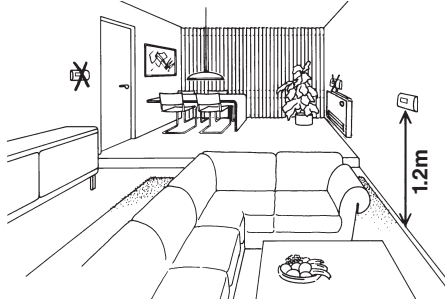
7 Install the batteries (included)



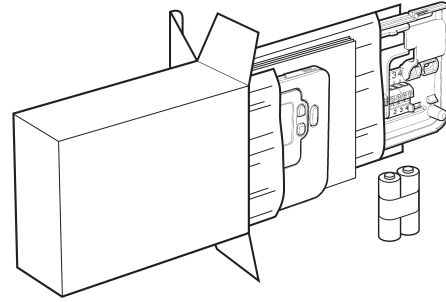
8 Attach the instruction label to flap



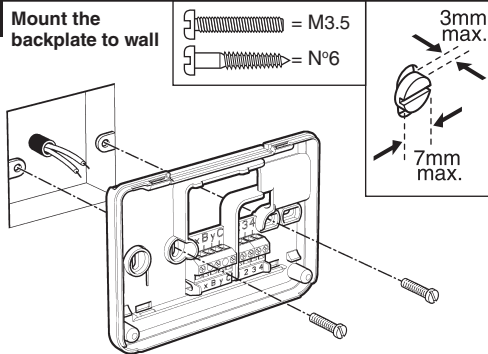
1 Find a suitable location for mounting



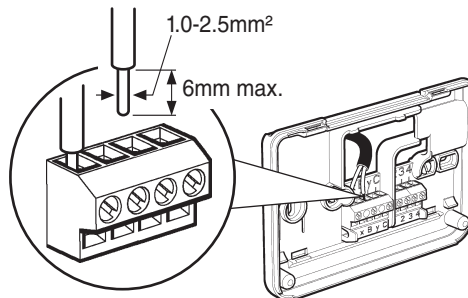
2 Remove from packaging



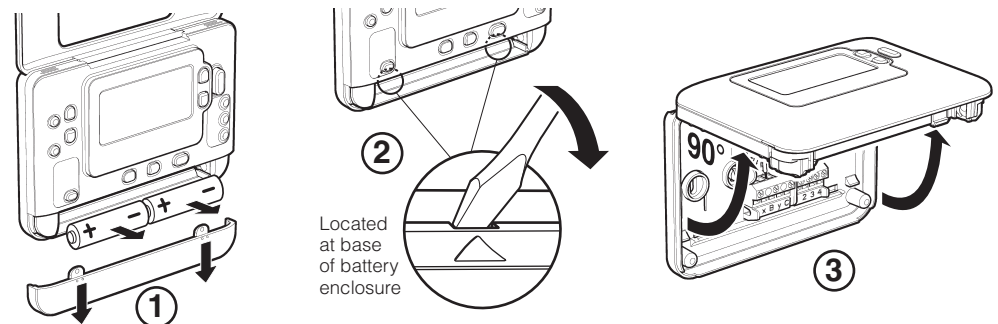
3 Mount the backplate to wall



4 Connect the wiring correctly



Cover Removal



Located at base of battery enclosure

CM707 - INSTALLATION GUIDE

You have now installed the Programmable Thermostat. For gas boiler applications, the factory system settings will not need to be changed (for other applications see below). You can now use the **USER GUIDE** to program the unit and demonstrate how it works to the homeowner.

Using the Programmable Thermostat for Specific Applications

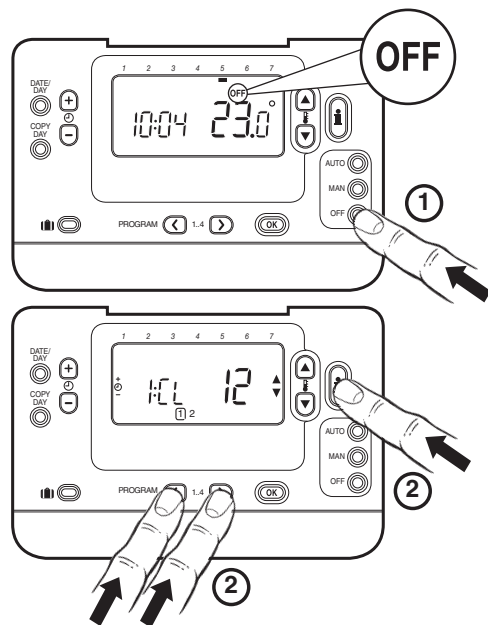
Application	Settings		What to change
	Cycle /Hour	Minimum ON time	
			Note: All parameters listed below belong to category 2 – system parameters (see Installer Parameter Table)
Gas Boiler (<30kW)	6	1	No changes required
Oil Boiler	3	4	Set 1:Ot parameter to 4 Set 2:Cr parameter to 3
Thermal Actuator	12	1	Set 2:Cr parameter to 12
Zone Valve	6	1	No changes required
Electric Heating (resistive load 3-5A)	12	1	Set 2:Cr parameter to 12

Using the Special Features of the Thermostat

Special Feature	Description	Enable/Disable this feature
Optimum Start	Optimum Start calculates how far in advance it needs to switch the boiler on to reach the comfort temperature at the programmed time. The system will restrict the start time to a max of 2 hours.	To enable: Set parameter 15:Op (category 1) to 1.
Delayed Start	Delayed Start will save energy by delaying the start of the boiler a little depending on the difference between the programmed temperature and the actual room temperature.	To enable: Set parameter 15:Op (category 1) to 2.
Optimum Stop	Optimum Stop starts working 1 hour before the end of the heating period. It switches the system off allowing the temperature to drop by maximum of 1 degree.	To enable: Set parameter 16: OS (category 1) to 1.

Entering the Installer Mode

- Press the **OFF** button.
- Press and hold the **OFF** button and the two **PROGRAM** buttons together.
- The unit will display the first parameter of installer parameter group category 1 (from Parameter No. 1 to 20).
- Press the **▲** or **▼** button to change the factory setting. The display will flash indicating that a change has been made.
- Press the green **OK** button to confirm the change. The display will stop flashing.
- Press the **⏪** button to go to the next parameter.
- Press the **PROGRAM** button to go to Installer parameter group category 2 (from Parameter No. 1 to 5).
- To exit installer mode, press the **AUTO**, **MAN** or **OFF** button.



Installer Parameters Table

Parameter	Parameter No.	Factory Default Settings		Optional Settings	
		Display	Description	Display	Description
Category 1 Parameters - Programmable Thermostat Settings					
AM-PM / 24hr Display	1:CL	12	12 hr – AM/PM clock display format	24	24 hr clock display format
Reset Time/ Temp Program	2:rP	1	Time / Temp profile set to factory default	0	Time / Temperature are as programmed
			Changes to 0 when one of the time/temp profiles are changed	1	To restore the factory profile set to 1
Auto Summer/Winter Time Change	3:tC	1	Auto Summer/Winter Time Change enabled	0	Auto Summer/Winter Time Change disabled
LCD Backlight	5:bL	1	Backlight enabled	0	Backlight disabled
Upper Temp Limit	6:UL	35	35°C Upper Temp. Limit	21-34	21°C to 34°C adjustment in 1°C steps
Lower Temp Limit	7:LL	5	5°C Lower Temp. Limit	6-20	6°C to 21°C adjustment in 1°C steps
Temperature Offset	12:tO	0	No temperature offset	-3 to +3	-3°C to +3°C adjustment in 0.1°C steps
Proportional Band Width	13:Pb	1.5	Proportional band of 1.5 degree	1.6 to 3.0	1.6°C to 3.0°C adjustment in 0.1°C steps
Optimised start	15:Op	0	Optimised start disabled	1	Optimum start enabled
				2	Delayed start enabled
Optimised system stop	16:OS	0	Optimum stop disabled	1	Optimum stop enabled
Scheduled Maintenance Alert Period (months)	19:SP	0	Scheduled Maintenance Alert Period disabled	0 to 48	0 to 48 months adjustment in 1 month steps
Reset Parameters to Factory Defaults	20:FS	1	All settings at factory defaults. <i>Changes to 0 when one of the parameter is changed</i>	0	Settings are as modified above
				1	To restore the factory profile set to 1
Category 2 Parameters - System Settings (press PROGRAM to access this category)					
Minimum boiler ON time	1:Ot	1	1 minute minimum ON time	2 to 5	Selection of 2, 3, 4 or 5 minutes minimum ON time
Cycle Rate	2:Cr	6	6 cycles per hour (cph)	3,9,12	Selection of 3, 9 or 12 cph
Pump Exercise	5:PE	0	Pump exercise disabled	1	Pump exercise enabled

Notes: Always remember to press the green **OK** button to confirm that you want to store the new Installer Set-Up setting. To exit the Installer Set-Up Mode press the **AUTO** or **MAN** button.

System Commissioning

To enter the diagnostic mode press the **OFF** button then press and hold the **OFF** button for 5 sec. The unit will enter the user settings mode. Next press and hold the **OFF** and **⏪** buttons together. The unit will hold the relay on for 5 minutes and the following information will be available on the display: model ID, date code (WW/YY) and checksum. To view this info press the **▲** or **▼** button. To exit System Commissioning press the **AUTO** or **MAN** button.

Manufactured for and on behalf of the Environmental and Combustion Controls Division of Honeywell Technologies Sàrl, ACS-ECC EMEA, Z.A. La Pièce 16, 1180 Rolle, Switzerland by its Authorised Representative Honeywell International Inc.

Honeywell Control Systems Ltd.

Skimped Hill Lane,
Bracknell
Berkshire
RG12 1EB
Technical Help Desk: 08457 678999
www.honeywelluk.com

© 2013 Honeywell International Inc.

Honeywell