

PROGRAMMABLE THERMOSTATS

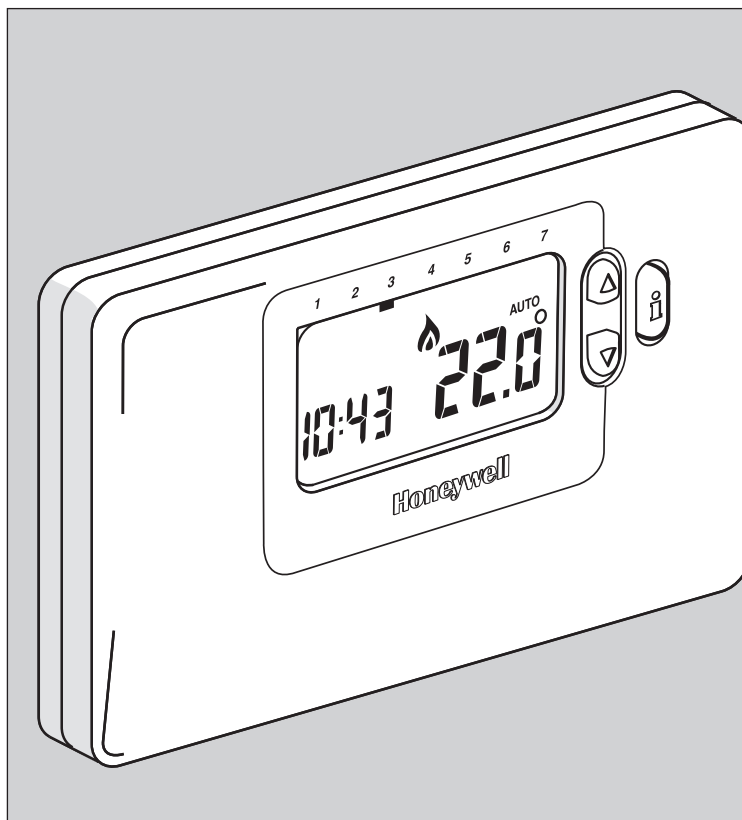
CM700

FEATURES

- Slim, ultra modern design
- Large LCD with time and temperature displayed
- Automatic Summer/Winter time change
- Service Internal warning
- Optional backlight
- Auto, manual, holiday, override and off (frost) modes
- Optional optimum start
- EEPROM memory holds program indefinitely
- Battery powered (with low-power indicator)
- Up to four independent time & temperature settings
- Burner 'ON' symbol
- Volt free connections

OPTIONS

- 1 day or 7 day hard-wired models
- 1 day or 7 day wireless models
- CM900 range with Line of Text™ display



APPLICATION

The CM700 range of programmable room thermostats are designed for social housing provider and specifier market needs by providing automatic time and temperature control of domestic heating premises.

Large LCD display with simple to program and easy to use functionality. No installer links or switches on the back of the unit means no adjustment is required for combi boilers and most central heating systems.

The CM700 range has a scheduled maintenance alert, fault diagnostic mode and automatic summer/winter time change to assist in maintenance.

The range caters for all requirements with hard-wired or wireless versions and 1 day or 7 day programming.

Two wire, volt free connections are ideal for use with combination boilers.

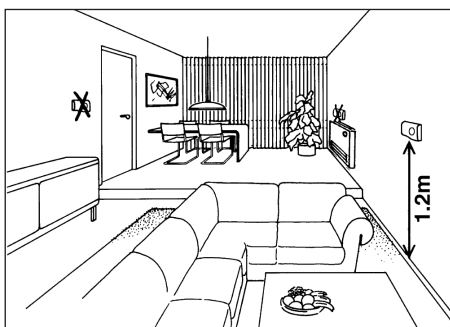
HEATING CONTROLS

Honeywell

Installation

The **CM700** range thermostats can either be surface or flush switch box mounted.

Do not position the thermostats near sources of heat (direct sunlight, radiators, vents, TV or lights), they must be located in a position with good air circulation, at average room temperature.



Ordering Specification

CMT701A1014

1 day programmable thermostat complete with batteries, fixing screws and instructions

CMT707A1029

7 day programmable thermostat complete with batteries, fixing screws and instructions

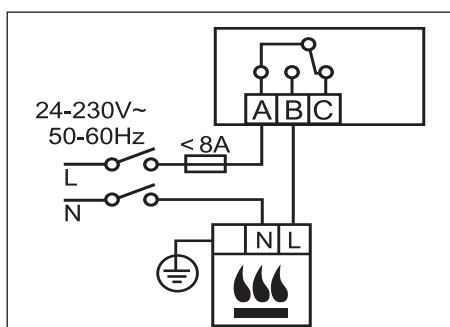
CMT721D1019

1 day wireless programmable thermostat complete with batteries, fixing screws and instructions

CMT727D1026

7 day wireless programmable thermostat complete with batteries, fixing screws and instructions

Wiring



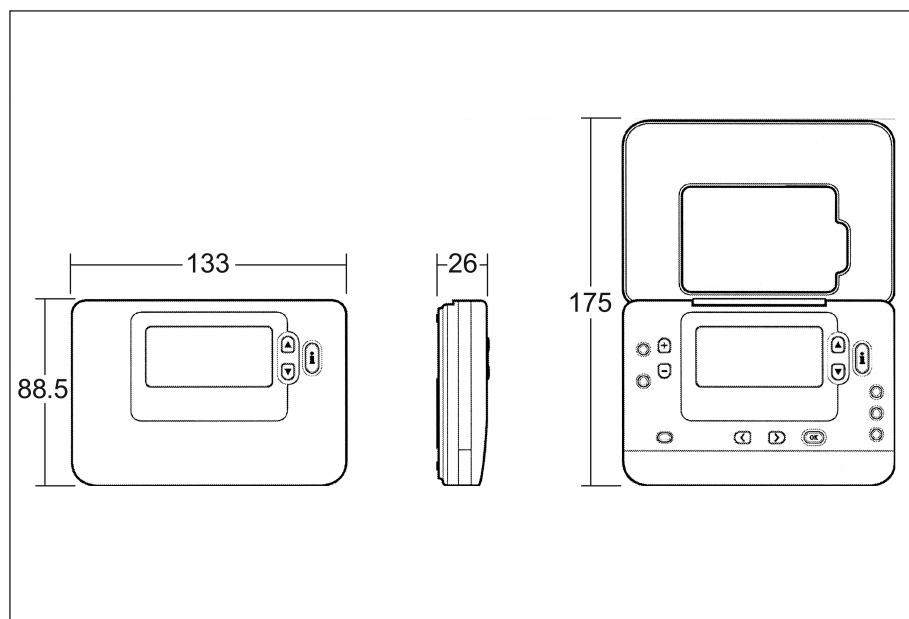
Note: Wired models only
See page 4.5 for Wireless models

Specification

Switch Rating (Wired)	: 230V~, 50Hz, 0.5A to 8A resistive : 24V~, 50Hz, 0.5A to 8A resistive
Switch Rating (Wireless)	: 24V~ 240~ 50Hz, : 10A resistive, 3A inductive
Switch Type	: Single pole, double throw (SPDT) relay
Power Supply	: Two AA size, LR6, 1.5V alkaline batteries
Battery Life	: Minimum 2 years (Program retained indefinitely in EEPROM)
Wiring	: Potential free terminals < 2.5mm ²
Temperature Setting Range	: 5 to 35°C in 0.5°C steps
Frost Protection Range	: 5°C (default) to 21°C in 0.5°C steps
Temperature Control Form	: P+I (Proportional + Integral)
Temperature Sensing Element	: 100K (@ 25°C) NTC thermistor
Temperature Control Accuracy	: ± 0.5K at 20°C (50% load, 3K/hour)
Time Setting Resolution	: Time of day: 1 minute : Programme time changes: 10 minutes
Time Display	: 24hr or 12 hr AM/PM format
Operating Temperature Range	: 0 to 40°C
Operating Humidity Range	: 10 to 90% RH, non-condensing
Storage Conditions	: -20 to 55°C
European EN Approvals	: EN60730-1 (Nov 2000), EN55014-1 (1997), EN55014-2 (2000)

Note: Holiday programme available in 7 day models only

Dimensions (mm)



CM721 & CM727



CM701 & CM707