



# Solid Core CT for Branch Circuit Monitoring J3CT075-XXX-V or A

3&1 AC CT

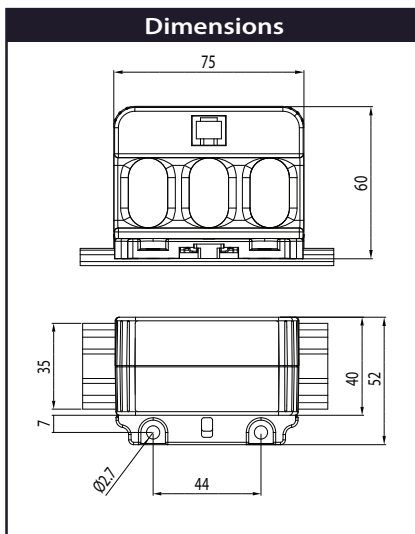


- 3 Phase measuring current transformers.
- Ranges: 30 to 100A (333mV & 100mA Secondary)
- Cable aperture : 3 @ 15.5 x 27mm
- RJ12 socket for use with our EASYMODULAR multi channel meters
- Panel / DIN Rail Mounting

# J3CT090-XXX-V or A



- 3 Phase measuring current transformers.
- Ranges: 60 to 160A (333mV & 100mA Secondary)
- Cable aperture : 3 @ 17 x 27mm
- RJ12 socket for use with our EASYMODULAR multi channel meters
- Panel / DIN Rail Mounting



**How to Order / Model Reference**

eg **J3CT075-000/333mV**  
**J3CT075**      **100mA**

Primary Current  
 Select code from ratio table

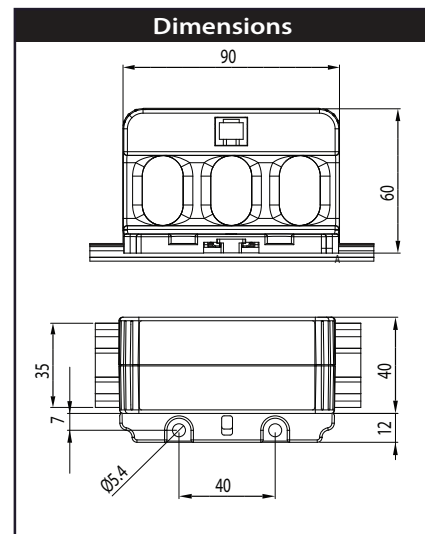
Secondary Voltage      **333 mV**

Secondary Current      **100 mA**

**Current Transformer Ratios**

Primary Current (A)	Metering Burden(VA)			Code
	cl. 0.25	cl. 0.55	cl. 1	
30			0.033	030
50			0.033	050
60		0.033		060
75	0.033			075
100	0.033			100

333mV / 100mA Secondary



**How to Order / Model Reference**

eg **J3CT090-000/333mV**  
**J3CT090**      **100mA**

Primary Current  
 Select code from ratio table

Secondary Voltage      **333 mV**

Secondary Current      **100 mA**

**Current Transformer Ratios**

Primary Current (A)	Metering Burden(VA)			Code
	cl. 0.25	cl. 0.55	cl. 1	
60			0.033	060
75			0.033	075
100			0.033	100
125	0.033			125
150	0.033			150
160	0.033			160

333mV / 100mA Secondary