



# CLAMP ON AC CURRENT PROBE JCP10-XXX-XXX series



Clamp and compact, the AC current probe model JCP10 is the ideal complement for any multi meter to measure AC current in low-power for industrial applications. It offers excellent resolution for measuring AC intensities from 5mA to 100A.

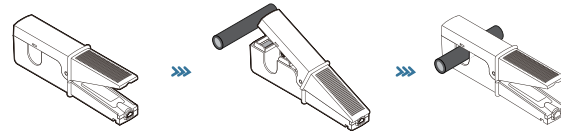
## APPLICATIONS

- Dual range
- Small compact size
- Measurement ranges of 5mA AC to 100A AC
- Designed to EN 61010, 600V CATIII safety standard.
- Double insulation
- CE mark

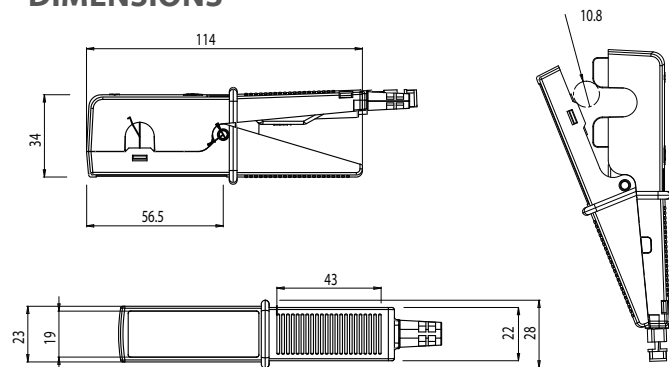
## FEATURES

- Measuring in breaker panels
- Industrial loads
- HVAC
- Residential and commercial sites
- data logging/recording

## HOW TO USE



## DIMENSIONS



## SPECIFICATION

Series	Inner Dia. Ø(mm)	Rated current(A)	Measuring Range	Power Supply Range & Type	Output
JCP10-1k	Ø10	10/100A	0.005~120Arms	self powerd	INSTANTANEOUS CURRENT AC
JCP10-1.5k	Ø10	10/100A	0.005~120Arms	self powerd	INSTANTANEOUS CURRENT AC
JCP10-2k	Ø10	5/10/20/25/50/100A	0.005~120Arms	self powerd	INSTANTANEOUS CURRENT AC
JCP10-2.5k	Ø10	5/10/20/25/50/100A	0.005~120Arms	self powerd	INSTANTANEOUS CURRENT AC
JCP10-3k	Ø10	5/10/20/25/50/100A	0.005~120Arms	self powerd	INSTANTANEOUS CURRENT AC
JCP10-333	Ø10	5/10/20/25/50/100A	0.005~60Arms	self powerd	333mV AC
JCP10-001	Ø10	5/10/20/25/50A	0.005~60Arms	self powerd	1V AC
JCP10-002	Ø10	5/10A	0.005~12Arms	self powerd	2V AC
JCP10-005	Ø10	5A	0.005~6Arms	self powerd	5V AC