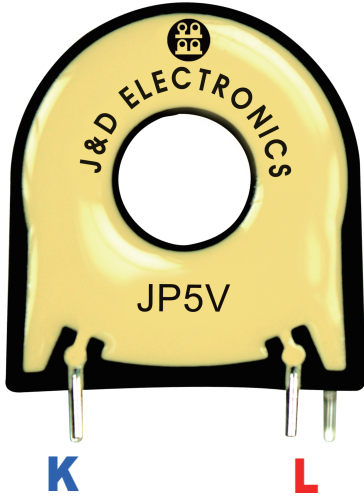
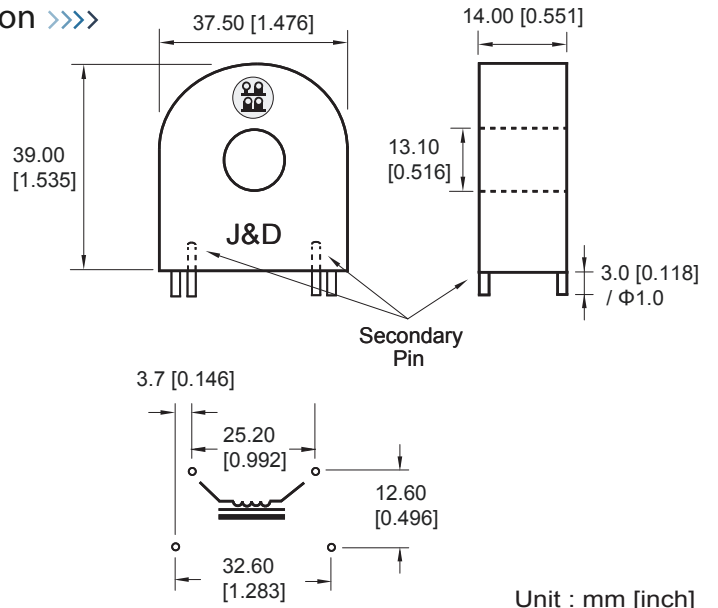




Without DC-Tolerance Current Transformer JP5V



Dimension >>>

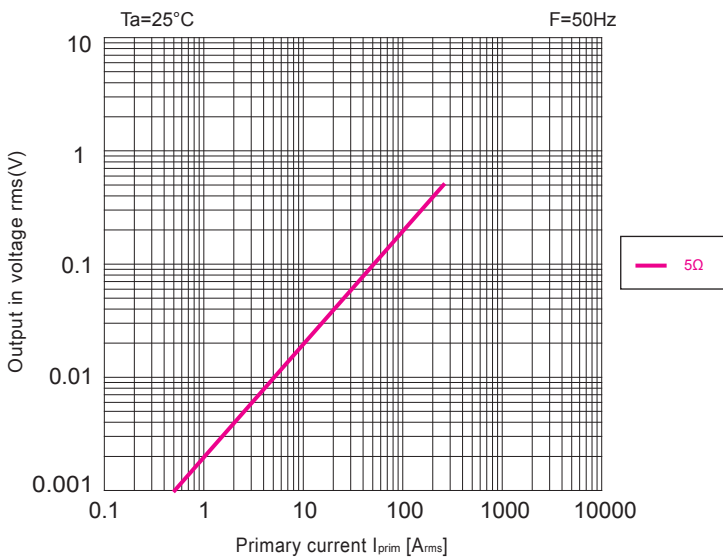


Unit : mm [inch]

Accuracy conforms to IEC 61869-2,
meets the measuring range from 1 to 120 % of I_n

Model	Primary Current Range		Error Phase $\phi(I)$ [°]	Turns Ratio	Characteristic Value					Terminal Structure	Inner Dia. ϕ
	Rated Current	Max Current			I _{max} [Arms]	L [H]	R _{cu} [Ω]	R _B [Ω]	U _B [Vrms]		
JP5V	120/200	280	0.10	1:2500	120	130	55	5	0.24	Pin	13

>>> Output Voltage Data



>>> Temperature Data

