



SPLIT-CORE CURRENT TRANSFORMER

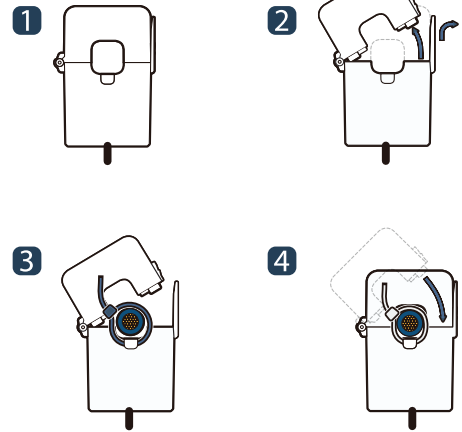
JSXXNL-XXX-100mA series



UL E344623 CE



HOW TO USE



JS series of split-core current transformer offers 100mA at secondary from sensed primary current. Without using secondary CT inside of meter, users directly connect JS series to a meter for high accuracy metering application. It enables one meter to be adopted for various current rating by only changing primary CT so it makes compact design meter and reduces developing cost. Also, over-voltage protection circuit is included to offer safe, fast and cost effective installation.

APPLICATIONS

- Power meter
- Switchgear
- Distributed measurement systems
- General Sets
- Control panels

FEATURES

- PC spring, secure locking hinge, one-touch structure make easy to install to the existent equipments such as a power distribution boards.
- Isolated plastic case recognized according to UL94-V0
- UL / EN 61010 - 1 certified

BENEFITS

- Small-size, light-weight
- Simple Installation
- Over-Voltage protection circuit is installed.

NOTICE

- Core contact surface is waterproofed, however if it gets rusty, you could reuse after removing rusts with spraying WD-40 or CRC5-56 on the rusted side
- Do not use any other chemicals except WD-40 or CRC5-56 on housing or any other parts.
- Customizing output lead wire

SPECIFICATION

Accuracy	Class 1.0
System Voltage	720V(0.72kV)
Overload withstand	1.2 times rated current continuously
Compliant with	IEC/EN61869-2 & IEC61010-1
Operating Temperature Range	-20°C to 55°C
Relative Humidity	0-85% non-condensing
Test Voltage	3kV for 1minute
Frequency Range	50/60Hz
Protection Level	3.0V0-P
Insulation Category	CAT II or CAT III 600VAC



CURRENT TRANSFORMER RATIOS

How to Order / Model Reference

eg **J S 1 6 N L 0 0 0 1 0 0 m A**

Model **J S 1 6 N L**

Primary Current

Select code from ratio table

Secondary Current

100mA **1 0 0 m A**

How to Order / Model Reference

eg **J S 2 4 N L 0 0 0 1 0 0 m A**

Model **J S 2 4 N L**

Primary Current

Select code from ratio table

Secondary Current

100mA **1 0 0 m A**

Current Transformer Ratios

Primary Current (A)	Metering Burden(VA)				Code
	cl. 0.2S	cl. 0.5S	cl. 1		
	cl. 0.3	cl. 0.6	cl. 1.2		
50			0.05		050
100			0.05		100

100mA Secondary

Current Transformer Ratios

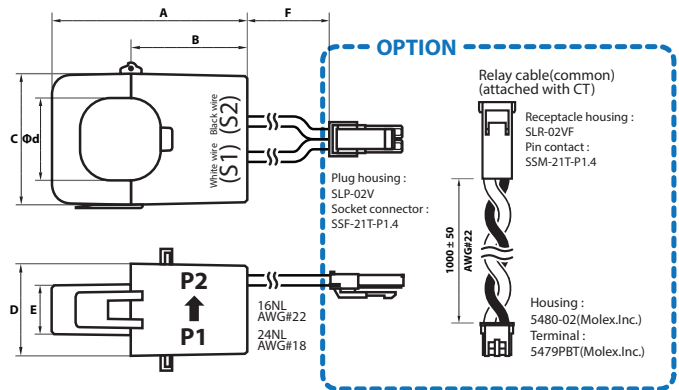
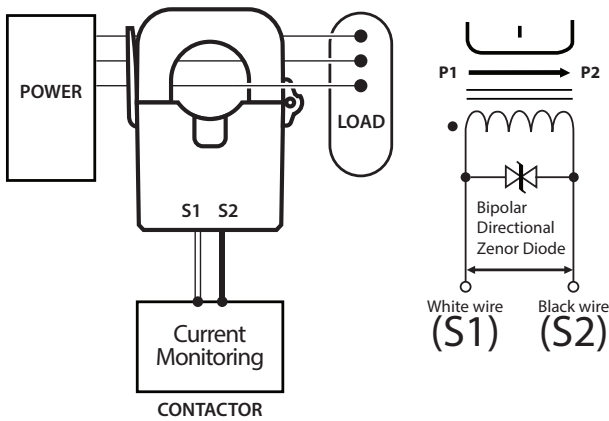
Primary Current (A)	Metering Burden(VA)				Code
	cl. 0.2S	cl. 0.5S	cl. 1		
	cl. 0.3	cl. 0.6	cl. 1.2		
200			0.05		200

100mA Secondary

Accuracy conforms to IEC61869-2 & IEEE/ANSI C57.13 meets the measuring range from 1 to 120 % of In

Accuracy conforms to IEC61869-2 & IEEE/ANSI C57.13 meets the measuring range from 1 to 120 % of In

APPLICATIONS / DIMENSIONS



Unit: mm

Model	A	B	C	D	E	F	Ød
JS16NL	45	26	30	31.6	18.8	150±20	16
JS24NL	65	37.5	45	33.7	21.1	200±20	24