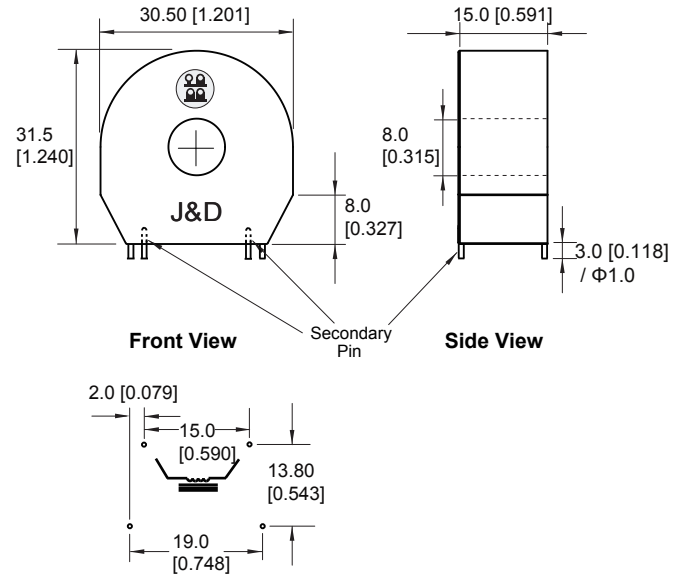
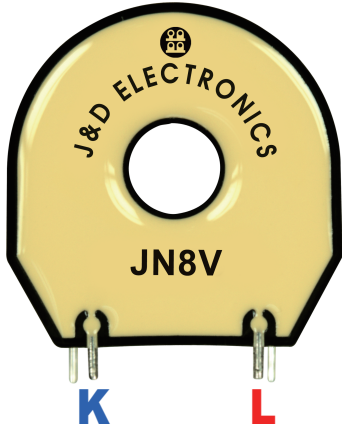


# Without DC-Tolerance Current Transformer

## JN8V

### Dimension >>>

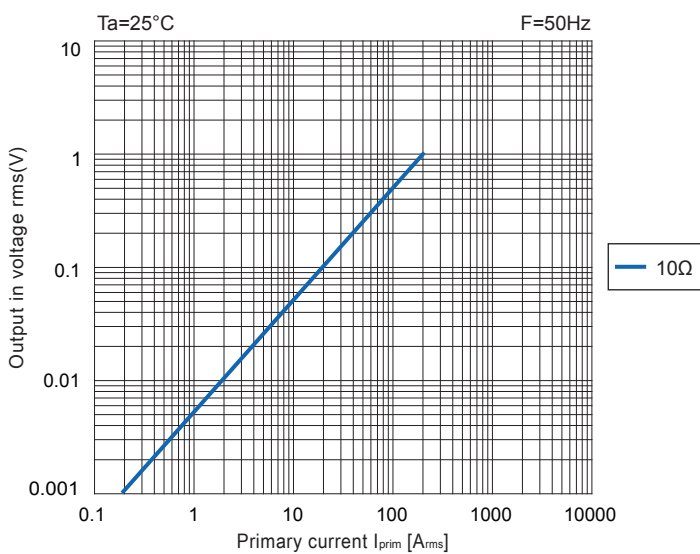


Unit : mm [inch]

Accuracy conforms to IEC 61869-2,  
meets the measuring range from 1 to 120 % of  $I_n$

| Model | Primary Current Range |             | Error<br>Phase $\phi(I)$ [°] | Turns Ratio | Characteristical Value |       |                              |                             |                                    | Terminal Structure | Inner Dia. $\Phi$ |
|-------|-----------------------|-------------|------------------------------|-------------|------------------------|-------|------------------------------|-----------------------------|------------------------------------|--------------------|-------------------|
|       | Rated Current         | Max Current |                              |             | $I_{max}$ [Arms]       | L [H] | R <sub>cu</sub> [ $\Omega$ ] | R <sub>B</sub> [ $\Omega$ ] | U <sub>B</sub> [V <sub>rms</sub> ] |                    |                   |
| JN8V  | 60/80/100             | 250         | 0.10                         | 1:2000      | 60                     | 250   | 92                           | 10                          | 0.3                                | Pin                | 8                 |

### >>> Output Voltage Data



### >>> Temperature Data

