



OPEN LOOP TECHNOLOGY CURRENT SENSORS

JHAO-XXXC(A/B) Series



FEATURES

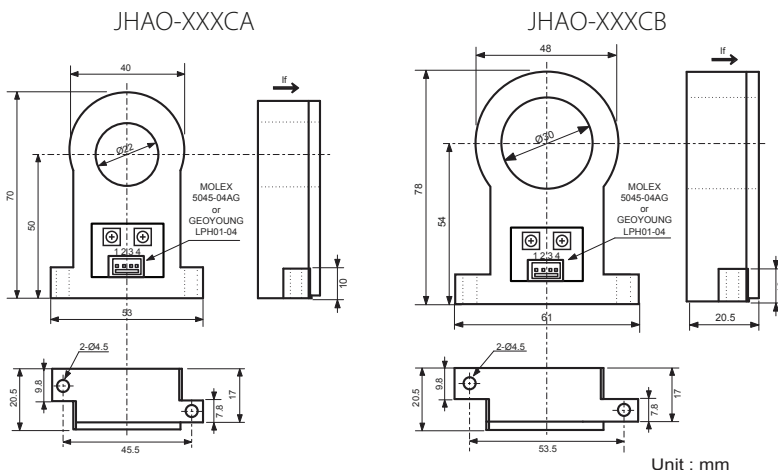
- Panel mounting
- Industrial temperature range
- Designed for round-hall wire, input-output connector type
- UL94-V0 compliance
- CE and RoHS available
- Two different size (A : 22Ø / B : 30Ø)

SPECIFICATION

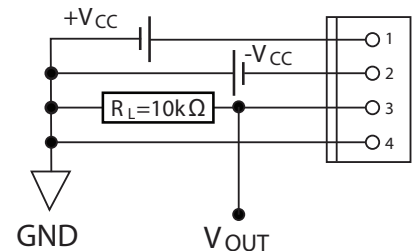
* Suffix(X)=A/B

Model	JHAO-050C(X)	JHAO-075C(X)	JHAO-100C(X)	JHAO-150C(X)	JHAO-200C(X)	JHAO-300C(X)	JHAO-400C(X)	JHAO-500C(X)	JHAO-600C(X)	
Rating current	50A	75A	100A	150A	200A	300A	400A	500A	600A	
Saturation current	150AT	225AT	300AT	450AT	600AT	900AT				
Output voltage	±4 V, 1% at rated current RL=10KΩ									
Offset voltage	±30mV max Less than	±15 mV max						±50 mV max		
Output linearity	±1% rated current									
Power supply	±15 V (±5%) 20mA									
Di/dt response time	3 μ sec (Typ.) at di/dt = F.S/μ Sec.									
Output temperature character	± 0.1% / °C (Typ.)									
Offset voltage temperature character	± 2mV/°C	± 1mV / °C (Typ.)								
Hysteresis error	30mV Less than 30mV	25mV(IF=F.S) Less than 25mV								
Insulation withstand voltage	AC 2500V / 1min.									
Insulation resistance	DC 500V / 500MΩ max									
Operating Condition	-15°C~+80°C									
Storage Condition	-15°C~+85°C									

DIMENSION



CONNECTION



Terminal Pin	1	2	3	4
Function	+ 15V	- 15V	Output	0V

Core=Silicon steel plate