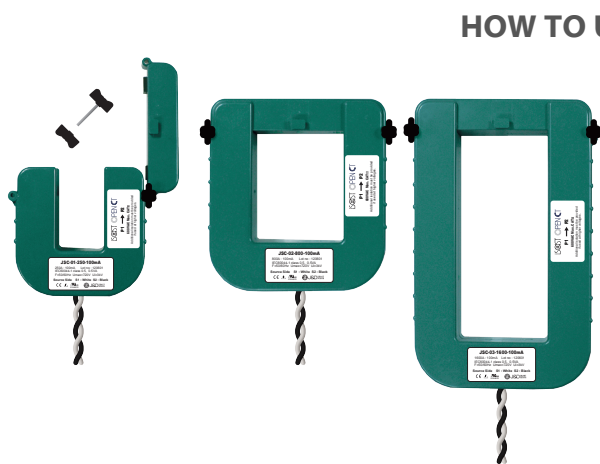
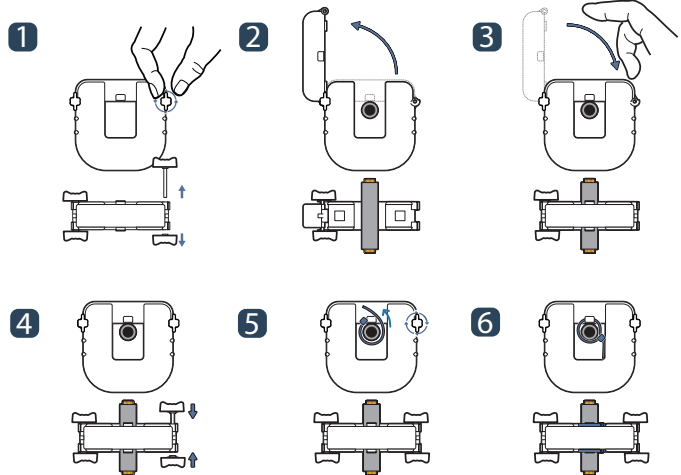




# REVENUE-GRADE SPLIT-CORE CURRENT TRANSFORMER JSC-XX-XXXX-100mA series



## HOW TO USE 1



JSC series of split-core current transformer offers 100mA at secondary from sensed primary current. Without using secondary CT inside of meter, users directly connect JSC series to a meter for high accuracy metering application. It enables one meter to be adopted for various current rating by only changing primary CT so it makes compact design meter and reduces developing cost. Also, over-voltage protection circuit is included to offer safe, fast and cost effective installation.

### APPLICATIONS

- Power meter
- Switchgear
- Distributed measurement systems
- General Sets
- Control panels

### FEATURES

- High quality comprehensive measurement
- Available in a wide range of transformer ratings
- Accuracy up to Class 0.5S

### BENEFITS

- Faster installation
- Cost effective
- Long product life

### NOTICE

- Core contact surface is waterproofed, however if it gets rusty, you could reuse after removing rusts with spraying WD-40 or CRC5-56 on the rusted side
- Do not use any other chemicals except WD-40 or CRC5-56 on housing or any other parts.
- Customizing output lead wire

### SPECIFICATION

|                             |                                      |
|-----------------------------|--------------------------------------|
| Accuracy                    | Class 0.5S                           |
| Leads                       | 18AWG, 600VAC                        |
| System Voltage              | 720V(0.72kV)                         |
| Overload withstand          | 1.2 times rated current continuously |
| Compliant with              | IEC/EN61869-2 & IEC61010-1           |
| Operating Temperature Range | -20°C to 60°C                        |
| Relative Humidity           | 0-90% non-condensing                 |
| Test Voltage                | 3kV for 1 minute                     |
| Frequency Range             | 50/60Hz                              |
| Protection Level            | 3.0V0-P                              |
| Insulation Category         | CAT II or CATIII 600VAC              |



## CURRENT TRANSFORMER RATIOS / DIMENSIONS

### How to Order / Model Reference

eg **J S C - 0 1 - 0 0 0 0 / 1 0 0 m A**

Model **J S C - 0 1**

Primary Current

Select code from ratio table

Secondary Current

100mA

**1 0 0 m A**

### How to Order / Model Reference

eg **J S C - 0 2 - 0 0 0 0 / 1 0 0 m A**

Model **J S C - 0 2**

Primary Current

Select code from ratio table

Secondary Current

100mA

**1 0 0 m A**

### How to Order / Model Reference

eg **J S C - 0 3 - 0 0 0 0 / 1 0 0 m A**

Model **J S C - 0 3**

Primary Current

Select code from ratio table

Secondary Current

100mA

**1 0 0 m A**

### Current Transformer Ratios

| Primary Current (A) | Metering Burden(VA) |          |         | Code |
|---------------------|---------------------|----------|---------|------|
|                     | cl. 0.25            | cl. 0.55 | cl. 1   |      |
|                     | cl. 0.3             | cl. 0.6  | cl. 1.2 |      |
| 250                 |                     | 0.05     |         | 0250 |
| 400                 |                     | 0.05     |         | 0400 |

100mA Secondary

### Current Transformer Ratios

| Primary Current (A) | Metering Burden(VA) |          |         | Code |
|---------------------|---------------------|----------|---------|------|
|                     | cl. 0.25            | cl. 0.55 | cl. 1   |      |
|                     | cl. 0.3             | cl. 0.6  | cl. 1.2 |      |
| 400                 |                     | 0.05     |         | 0400 |
| 600                 |                     | 0.05     |         | 0600 |
| 800                 |                     | 0.05     |         | 0800 |
| 1000                |                     | 0.05     |         | 1000 |
| 1200                |                     | 0.05     |         | 1200 |

100mA Secondary

### Current Transformer Ratios

| Primary Current (A) | Metering Burden(VA) |          |         | Code |
|---------------------|---------------------|----------|---------|------|
|                     | cl. 0.25            | cl. 0.55 | cl. 1   |      |
|                     | cl. 0.3             | cl. 0.6  | cl. 1.2 |      |
| 800                 |                     | 0.05     |         | 0800 |
| 1000                |                     | 0.05     |         | 1000 |
| 1200                |                     | 0.05     |         | 1200 |
| 1600                |                     | 0.05     |         | 1600 |
| 2000                |                     | 0.05     |         | 2000 |
| 2400                |                     | 0.05     |         | 2400 |

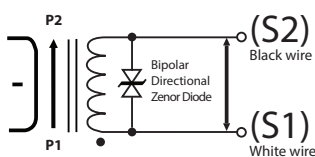
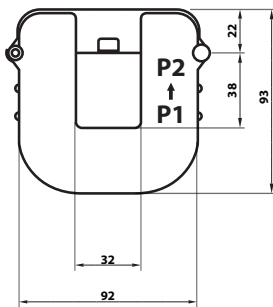
100mA Secondary

Accuracy conforms to IEC61869-2 & IEEE/ANSI C57.13 meets the measuring range from 1 to 120 % of In

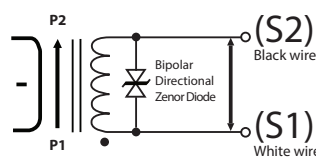
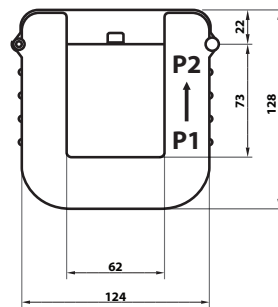
Accuracy conforms to IEC61869-2 & IEEE/ANSI C57.13 meets the measuring range from 1 to 120 % of In

Accuracy conforms to IEC61869-2 & IEEE/ANSI C57.13 meets the measuring range from 1 to 120 % of In

### Dimensions



### Dimensions



### Dimensions

