

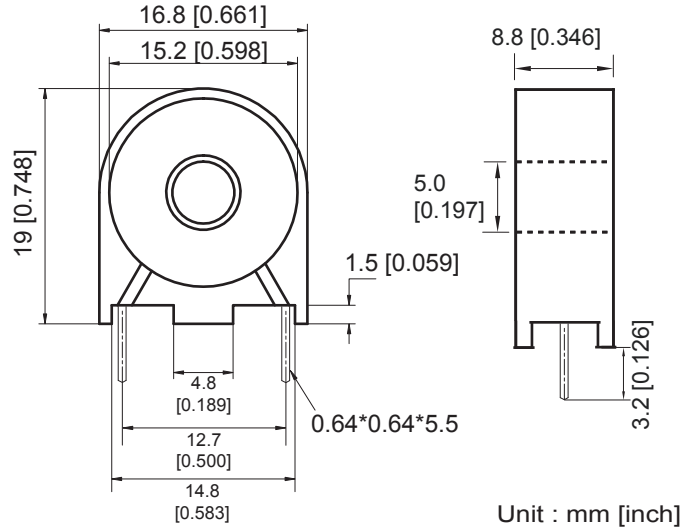
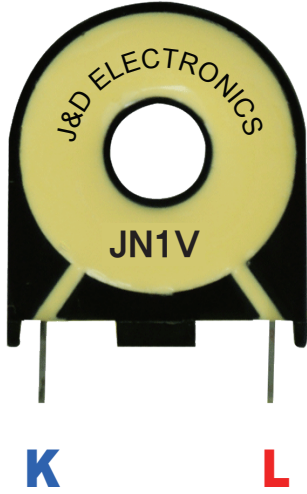
Without DC-Tolerance Current Transformer

JN1V

ISO CT

CE  E344623

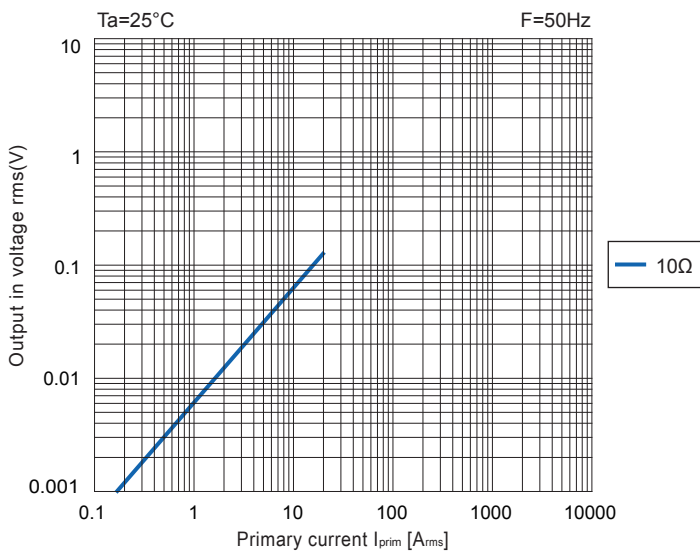
Dimension >>>>



Accuracy conforms to IEC 61869-2,
meets the measuring range from 1 to 120 % of In

Model	Primary Current Range		Error Phase $\phi(I)$ [°]	Turns Ratio	Characteristic Value					Terminal Structure	Inner Dia. ϕ
	Rated Current	Max Current			I_{max} [Arms]	L [H]	Rcu [Ω]	RB [Ω]	UB [Vrms]		
JN1V	5/10	20	0.29	1:1500	6	35	46	10	0.04	Pin	5

>>>> Output Voltage Data



>>>> Temperature Data

