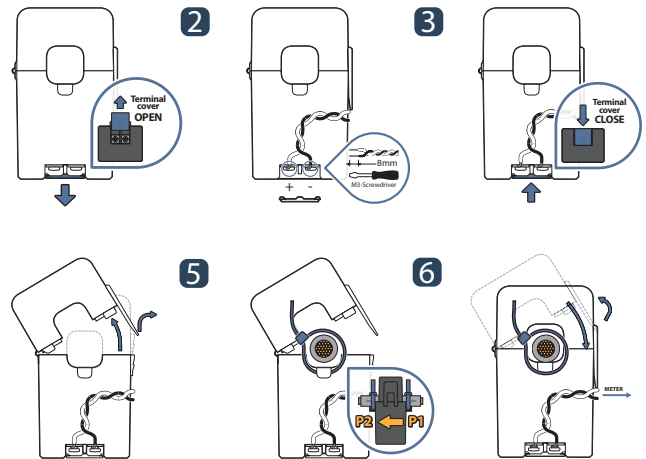




PRECISION SPLIT-CORE CURRENT TRANSDUCER JCXXX-XXX-RMS series



HOW TO USE ①



The Split-core Current Transducer, RMS Series, is designed for energy management, with a convenient connection to electronic submeter. It may also be applied for current measurement in a system of distributed power line carriers (PLCs) or remote controls such as SCADA software for automation and supervision. Other applications include security and condition monitoring, load monitoring, in protection systems, and for predictive maintenance of conveyers, pumps or HVAC motors.

APPLICATIONS

- HVAC & Pumps
- Refrigeration
- Small Industrial Motors
- Fans
- Lighting

FEATURES

- Nylon-spring, output-terminal, secure locking hinge, one-touch structure makes easy to install to the existent equipments such as a power distribution boards.
- Isolated plastic case recognized according to UL94-V0
- UL / EN 61010 -1 certified

BENEFITS

- Small-size, light-weight
- Simple Installation
- Over-Voltage protection circuit is installed.

NOTICE

- If you impact the core contact surface, internal core material could be damaged.(Ø16 type)
- Core contact surface is waterproofed, however if it gets rusty, you could reuse after removing rusts with spraying WD-40 or CRC5-56 on the rusted side(Ø24, Ø36 type).
- Do not use any other chemicals except WD-40 or CRC5-56 on housing or any other parts.
- Please use only the original output screws. Not recommended to replace it with anything else.
- Customizing output lead wire

SPECIFICATION

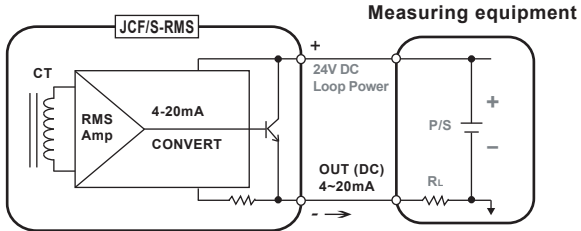
(F=50/60Hz)

Model	JCXXFXXX-RMS Ø16	JCXXSXXX-RMS Ø24	JCXXSXXX-RMS Ø36
Amperage Range	0-5, 10, 20, 25, 50, 100	250	500
Max. Allowable Current	120%(Continuous), 150%(1mim.)		
Output	4~20mA DC (RMS)/0~Rated Current (Load resistance : ≤ 600Ω at P/S : 24V)		
Accuracy / Linearity	±2% FS. Dynamic Range 1:100 at 50/60Hz Sinewave		
Sensor Supply Voltage	24V DC Loop Power (20-30 V DC(25mA Max.)		
Installation Category	100ms		
Output Ripple Voltage	Within 2% of Output Voltage		
Output Terminals	2 x M3-Screw, with Terminals cover		
Insulation Category	CATIII		
Operating Condition	-20°C~+50°C, ≤85%RH, No condensation, In-house & Any direction installable		
Storage Condition	-30°C~+90°C, ≤85%RH, No condensation		

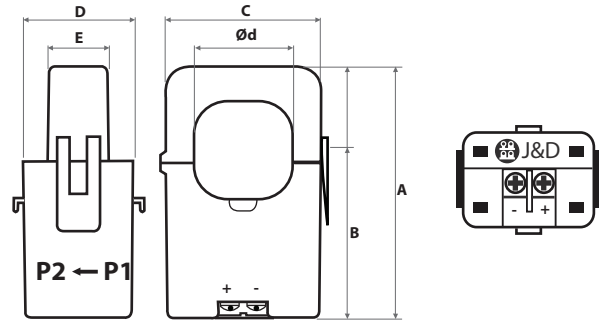


INTERNAL CIRCUIT DRAWINGS / DIMENSIONS

JC RMS



2-Wire Transmission method (Loop powered)
using P/S(+ side) of Measuring equipment



Unit : mm

Model	A	B	C	D	E	Ød
JC16F	55	41	29.5	31	19	16
JC24S	74.5	52	45	34	22	24
JC36S	91	62	57	40.5	22	36

APPLICATIONS

