

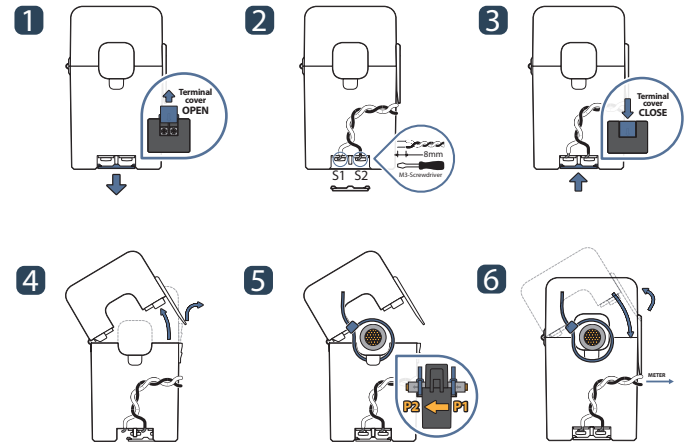


SPLIT-CORE CURRENT TRANSFORMER

JCXXF-333mV series



HOW TO USE



JC series of split-core current transformer offers 333mV at secondary from sensed primary current. Without using secondary CT inside of meter, users directly connect JC series to meter for high accuracy metering application. It enables one meter to be adopted for various current rating by only changing primary CT so it makes compact meter design and reduces developing cost. Also, over-voltage protection circuit is included to offer safe, fast and cost effective installation.

APPLICATIONS

- Energy sub - meter
- Power meters
- Power quality monitoring
- HVAC&Pumps, etc
- Distributed measurement system

FEATURES

- High accuracy : 1% from 10% to 120% of rated current
- Nylon-spring, output-terminal, secure locking hinge, one-touch structure makes easy to install to the existent equipments such as a power distribution boards.
- Isolated plastic case recognized according to UL94-V0
- UL / EN 61010-1 certified

BENEFITS

- Small-size, light-weight
- Simple Installation
- Over-Voltage protection circuit is installed.

NOTICE

- If you impact the core contact surface, internal core material could be damaged.(Ø10, Ø16, Ø24 type)
- Core contact surface is waterproofed, however if it gets rusty, you could reuse after removing rusts with spraying WD-40 or CRC5-56 on the rusted side.(Ø36 type)
- Do not use any other chemicals except WD-40 or CRC5-56 on housing or any other parts.
- Please use only the original output screws. Not recommended to replace it with anything else.
- Customizing output lead wire

SPECIFICATION

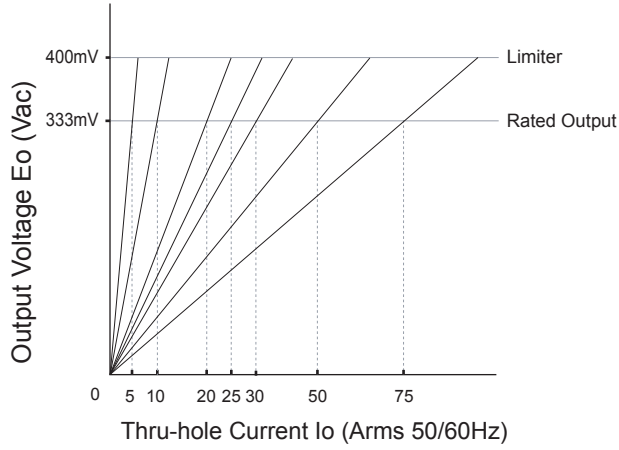
(F=50/60Hz)

Model	JC10F-333(xxx) Ø10	JC16F-333(xxx) Ø16	JC24F-333(xxx) Ø24	JC36S-333(xxx) Ø36
Amperage Range	5, 10, 20, 25 30, 50, 75	70, 100	5, 10, 30, 50, 70 100, 150, 200	300, 400, 500, 600
Output Voltage	333mV			
Nominal Phase Angle Error	+1.5 ± 1°	+1.0 ± 1°	+1.0 ± 1°	+0.5 ± 0.5°
Nominal Linearity Error	-1 ± 1%	-1 ± 1%	-1 ± 1%	± 1%
Protection Level	2.2V0-P			3.0V0-P
Insulation Category	CAT III			
Operating Condition	-20°C~+50°C, ≤85%RH, No condensation, In-house & Any direction installable			
Storage Condition	-30°C~+90°C, ≤85%RH, No condensation			

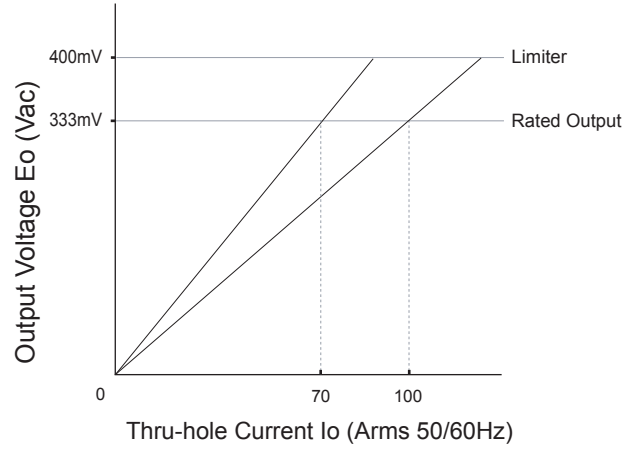


OUTPUT VOLTAGE DATA

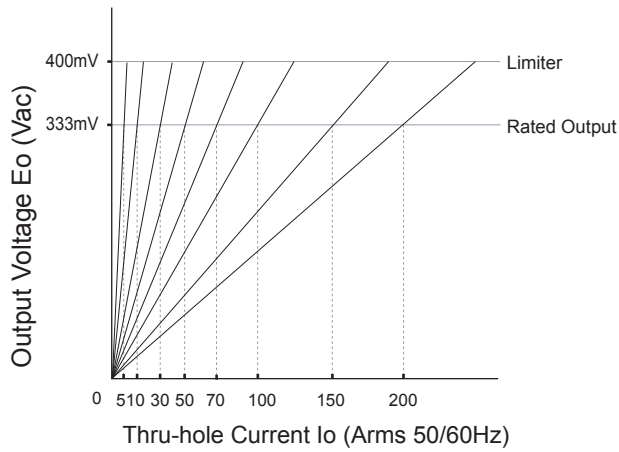
JC10F-333



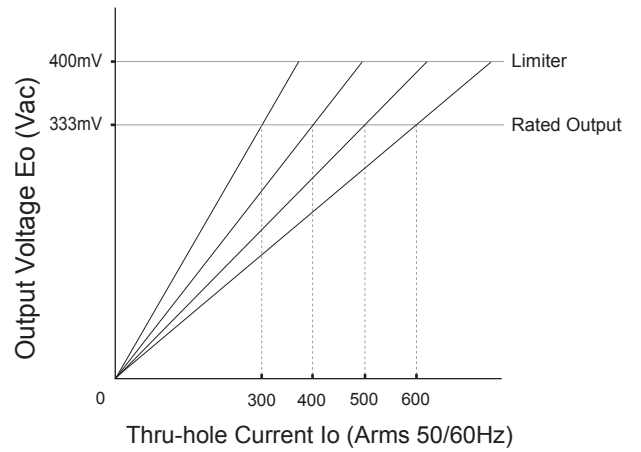
JC16F-333



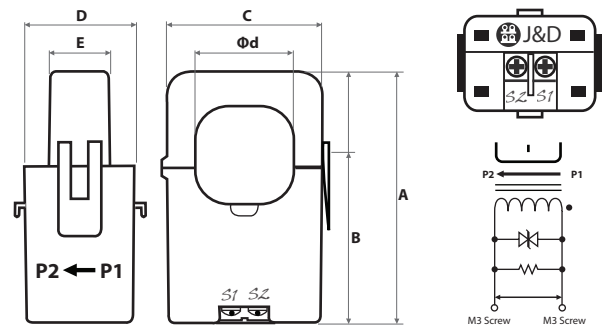
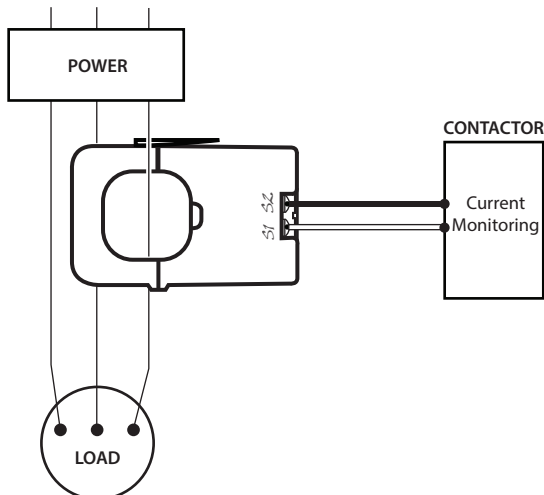
JC24F-333



JC36S-333



APPLICATIONS / DIMENSIONS



Unit : mm

Model	A	B	C	D	E	Ød
JC10F-333	50	38	23	26	14.5	10
JC16F-333	55	41	29.5	31	19	16
JC24F-333	74.5	52	45	34	22	24
JC36S-333	91	62	57	40.5	22	36