

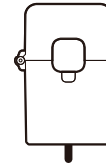


SPLIT-CORE CURRENT TRANSFORMER

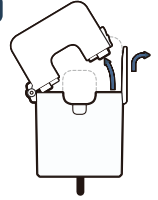
JSXXFL-XXX-100mA series



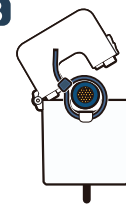
HOW TO USE 1



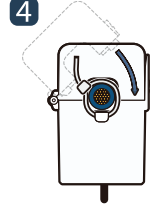
2



3



4



JS series of split-core current transformer offers 100mA at secondary from sensed primary current. Without using secondary CT inside of meter, users directly connect JS series to a meter for high accuracy metering application. It enables one meter to be adopted for various current rating by only changing primary CT so it makes compact design meter and reduces developing cost. Also, over-voltage protection circuit is included to offer safe, fast and cost effective installation.

APPLICATIONS

- Power meter
- Switchgear
- Distributed measurement systems
- General Sets
- Control panels

FEATURES

- PC spring, secure locking hinge, one-touch structure make easy to install to the existent equipments such as a power distribution boards.
- Isolated plastic case recognized according to UL94-V0
- UL / EN 61010 - 1 certified

BENEFITS

- Small-size, light-weight
- Simple Installation
- Over-Voltage protection circuit is installed.

NOTICE

- If you impact the core contact surface, internal core material could be damaged.
- Customizing output lead wire

SPECIFICATION

Accuracy	Class 1.0
System Voltage	720V(0.72kV)
Overload withstand	1.2 times rated current continuously
Compliant with	IEC/EN61869-2 & IEC61010-1
Operating Temperature Range	-20°C to 55°C
Relative Humidity	0-85% non-condensing
Test Voltage	3kV for 1 minute
Frequency Range	50/60Hz
Protection Level	3.0V0-P
Insulation Category	CAT II or CAT III 600VAC



CURRENT TRANSFORMER RATIOS

How to Order / Model Reference

eg JS16FL 000 100mA

Model JS16FL

Primary Current

Select code from ratio table

Secondary Current

100mA 100mA

How to Order / Model Reference

eg JS24FL 000 100mA

Model JS24FL

Primary Current

Select code from ratio table

Secondary Current

100mA 100mA

Current Transformer Ratios

Primary Current (A)	Metering Burden(VA)				Code
	cl. 0.2S	cl. 0.5S	cl. 1		
	cl. 0.3	cl. 0.6	cl. 1.2		
50			0.05		050
100			0.05		100

100mA Secondary

Current Transformer Ratios

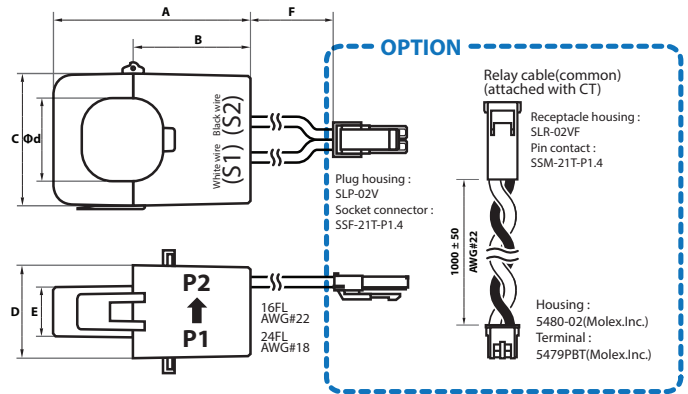
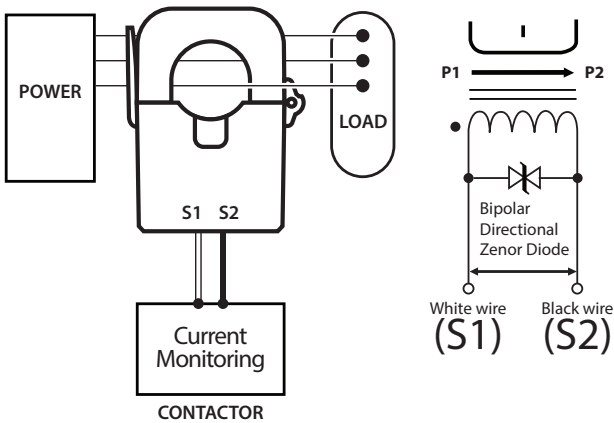
Primary Current (A)	Metering Burden(VA)				Code
	cl. 0.2S	cl. 0.5S	cl. 1		
	cl. 0.3	cl. 0.6	cl. 1.2		
200			0.05		200

100mA Secondary

Accuracy conforms to IEC61869-2 & IEEE/ANSI C57.13 meets the measuring range from 1 to 120 % of In

Accuracy conforms to IEC61869-2 & IEEE/ANSI C57.13 meets the measuring range from 1 to 120 % of In

APPLICATIONS / DIMENSIONS



Unit : mm

Model	A	B	C	D	E	F	Ød
JS16FL	45	26	30	31.6	18.8	150±20	16
JS24FL	65	37.5	45	33.7	21.1	200±20	24