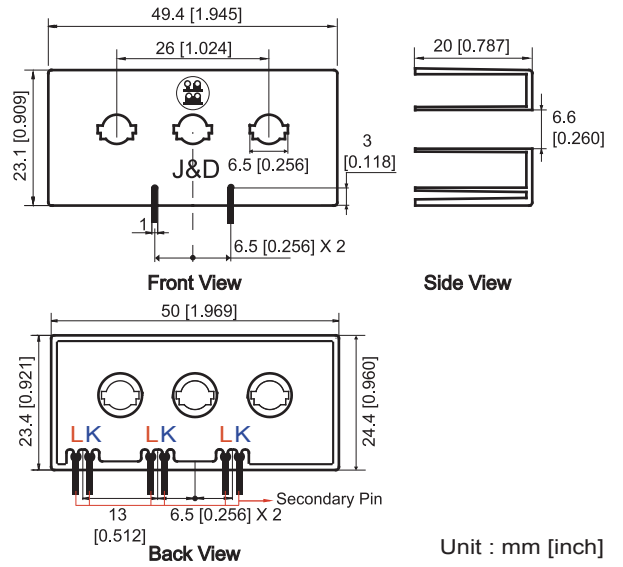
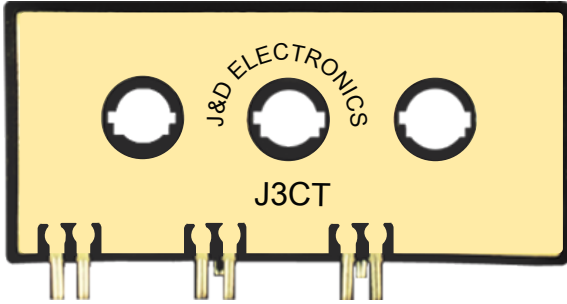




# Current Transformer

## J3CT

### Dimension >>>>



Accuracy conforms to IEC 61869-2,  
meets the measuring range from 1 to 120 % of I<sub>n</sub>

Model	Primary Current Range		Error	Turns Ratio	Characteristical Value					Terminal Structure	Inner Dia.Ø
	Rated Current	Max Current	Phase Ø(I) [°]		I <sub>max</sub> [Arms]	L [H]	R <sub>cu</sub> [Ω]	R <sub>B</sub> [Ω]	U <sub>B</sub> [Vrms]		
J3CT	5	20	0.24	1:2500	5	110	135	10	0.02	Pin	6.5

### >>>> Output Voltage Data

