



CLAMP ON AC CURRENT PROBE JCP21-XXX-XXX series



Clamp and compact, the AC/DC current probe model JCP21 is the ideal complement for any multimeter to measure AC current in low-power with secondary, 0-5V 0-10V DC output. With its two ranges, it offers excellent resolution for measuring AC intensities from 1mA to 300A and DC intensities from 100mA to 300A.

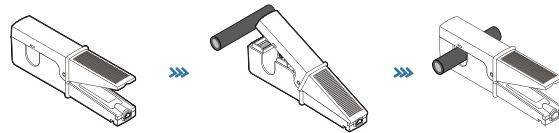
APPLICATIONS

- Dual range
- Small compact size
- Measurement ranges of 1mA AC to 300A AC
- Measurement ranges of 100mA DC to 300A DC
- Designed to EN 61010, 600V CATIII safety standard.
- Double insulation
- CE mark

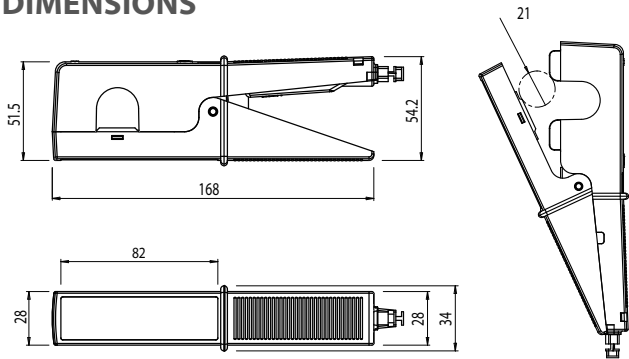
FEATURES

- Measuring in breaker panels
- Industrial loads
- HVAC
- Residential and commercial sites
- data logging/recording

HOW TO USE



DIMENSIONS



SPECIFICATION

| Series | Inner Dia. Ø(mm) | Rated current(A) | Measuring Range | Power Supply Range & Type | Output |
|------------|------------------|------------------------------------|-----------------|---------------------------|--------------------------|
| JCP21-1k | Ø21 | 5/10/20/25/50/100/150/200/250A | 0.001~250Arms | self power | INSTANTANEOUS CURRENT AC |
| JCP21-1.5k | Ø21 | 5/10/20/25/50/100/150/200/250/300A | 0.001~300Arms | self power | INSTANTANEOUS CURRENT AC |
| JCP21-2k | Ø21 | 5/10/20/25/50/100/150/200/250/300A | 0.001~300Arms | self power | INSTANTANEOUS CURRENT AC |
| JCP21-2.5k | Ø21 | 5/10/20/25/50/100/150/200/250/300A | 0.001~300Arms | self power | INSTANTANEOUS CURRENT AC |
| JCP21-3k | Ø21 | 5/10/20/25/50/100/150/200/250/300A | 0.001~300Arms | self power | INSTANTANEOUS CURRENT AC |
| JCP21-5k | Ø21 | 5/10/20/25/50/100/150/200/250/300A | 0.001~300Arms | self power | INSTANTANEOUS CURRENT AC |
| JCP21-AAC | Ø21 | 100/125/150/200/250A | 0.001~300Arms | self power | 1A,5A AC |
| JCP21-VAC | Ø21 | 5/10/20/25/50/100/150/200/250A | 0.001~300Arms | self power | 333mV, 1V,2V,5V AC |
| JCP21-VDC | Ø21 | 5/10/20/25/50/100/150/200/250/300A | 0.1~300Arms | ± 15VDC | 0-5V,0-10V DC |