

Direct Voltage Transformer

JIVD30

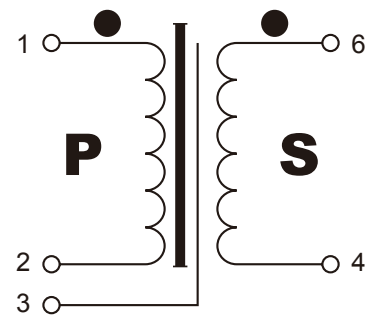
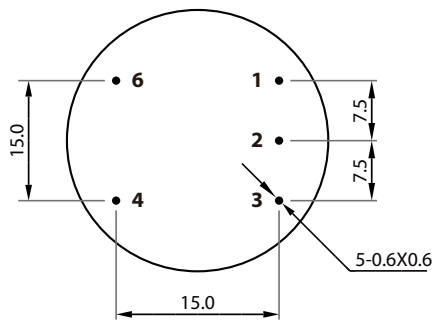
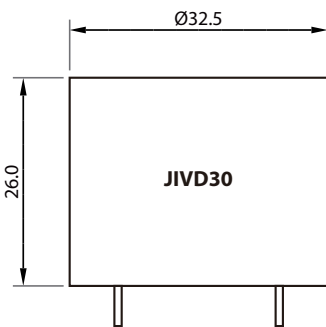
iSOST VT



JIVD30 is designed for direct measuring as PCB mounted type. These VTs offer an optional transformation between input and output voltage. Input is available from 100V - 380V and output is from 1V - 5V by customer needs. These VTs are the best solution for high accurate measuring of voltage.

Series	MAIN SPECIFICATION(Primary current type : Secondary current type)					
	Input Voltage(V)	Output Voltage	Excitation Current	Accuracy	Class	Mounting
JIVD30	100/150/220/380V	1~5V	≤0.5mA	50Hz to 400Hz	0.1 Class	PCB

>>>> Dimension & Circuit



Unit : mm