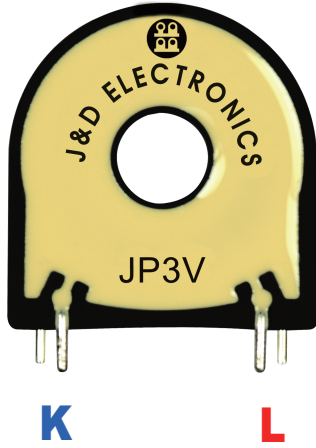
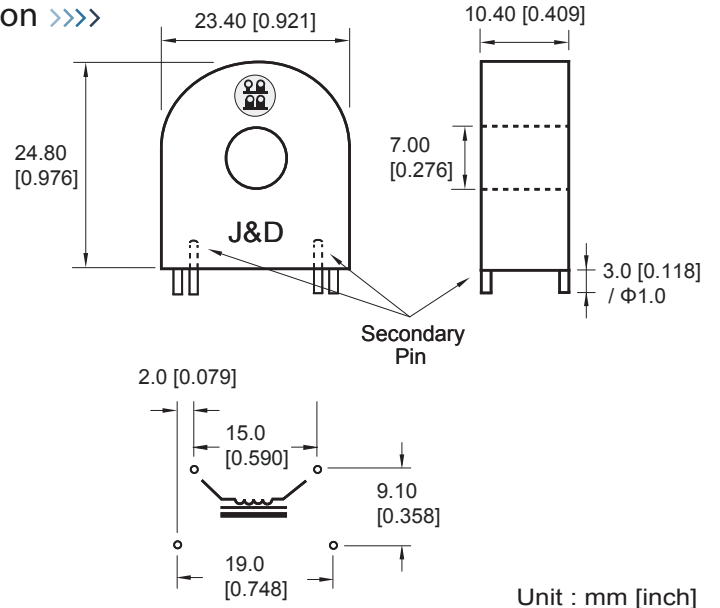


# Without DC-Tolerance Current Transformer JP3V



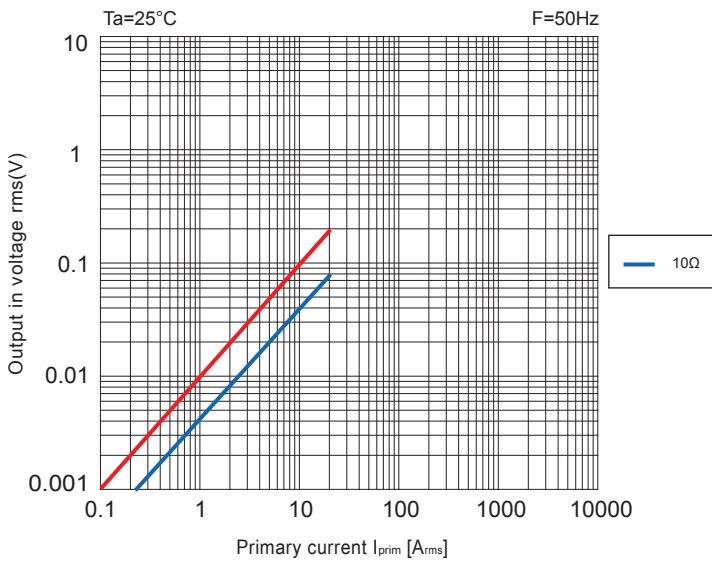
## Dimension >>>



Accuracy conforms to IEC 61869-2,  
meets the measuring range from 1 to 120 % of I<sub>n</sub>

Model	Primary Current Range		Error	Turns Ratio	Characteristic Value					Terminal Structure	Inner Dia.∅
	Rated Current	Max Current	Phase ∅(I) [°]		I <sub>max</sub> [Arms]	L [H]	R <sub>cu</sub> [Ω]	R <sub>B</sub> [Ω]	U <sub>B</sub> [Vrms]		
JP3V	5/10/20	40	0.10	1:2500	6	250	138	10	0.024	Pin	7

## >>> Output Voltage Data



## >>> Temperature Data

