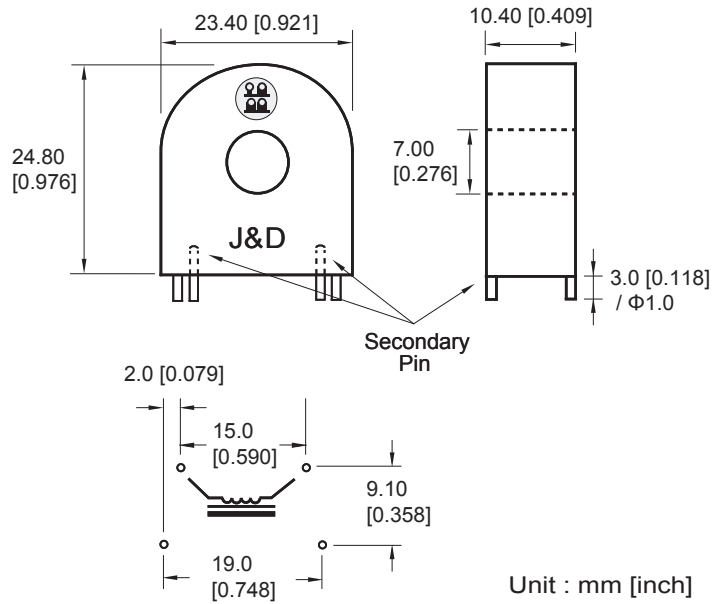
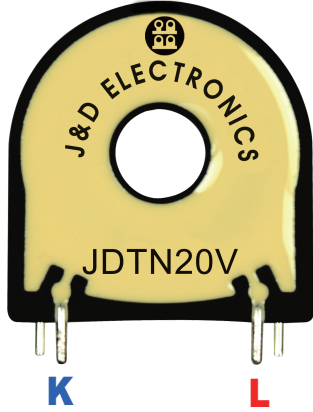


With DC-Tolerance Current Transformer JDTN20V

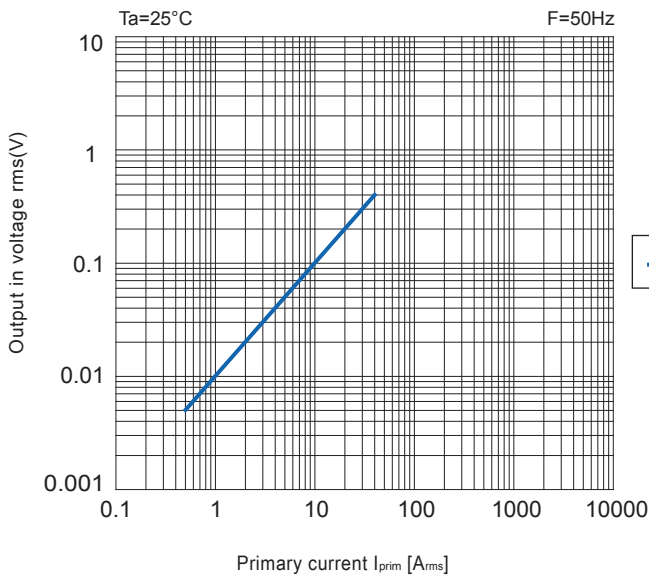
Dimension >>>



Accuracy conforms to IEC 61869-2,
meets the measuring range from 1 to 120 % of I_n

Model	Primary Current Range		Error Phase ∅(I)[°]	Turns Ratio	Characteristical Value				Terminal Structure	Inner Dia.∅
	I _{max} [Arms]	I _{peak} [Aop]			L [H]	R _{cu} [Ω]	R _B [Ω]	U _B [Vrms]		
JDTN20V	20	20	4.00	1:2500	7.4	138	25	0.2	Pin	7

>>> Output Voltage Data



>>> Graph

