



# SPLIT-CORE CURRENT TRANSFORMER

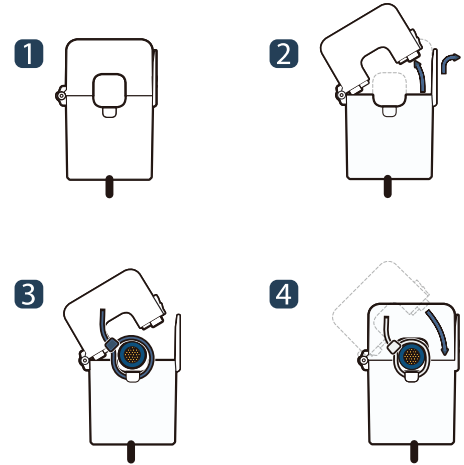
## JSXXSL-XXX-100mA series



UL US E344623 CE



### HOW TO USE



JS series of split-core current transformer offers 100mA at secondary from sensed primary current. Without using secondary CT inside of meter, users directly connect JS series to a meter for high accuracy metering application. It enables one meter to be adopted for various current rating by only changing primary CT so it makes compact design meter and reduces developing cost. Also, over-voltage protection circuit is included to offer safe, fast and cost effective installation.

### APPLICATIONS

- Power meter
- Switchgear
- Distributed measurement systems
- General Sets
- Control panels

### FEATURES

- PC spring, secure locking hinge, one-touch structure make easy to install to the existent equipments such as a power distribution boards.
- Isolated plastic case recognized according to UL94-V0
- UL / EN 61010 - 1 certified

### BENEFITS

- Small-size, light-weight
- Simple Installation
- Over-Voltage protection circuit is installed.

### NOTICE

- Core contact surface is waterproofed, however if it gets rusty, you could reuse after removing rusts with spraying WD-40 or CRC5-56 on the rusted side
- Do not use any other chemicals except WD-40 or CRC5-56 on housing or any other parts.
- Customizing output lead wire

### SPECIFICATION

Accuracy	Class 1.0
System Voltage	720V(0.72kV)
Overload withstand	1.2 times rated current continuously
Compliant with	IEC/EN61869-2 & IEC61010-1
Operating Temperature Range	-20°C to 55°C
Relative Humidity	0-85% non-condensing
Test Voltage	3kV for 1 minute
Frequency Range	50/60Hz
Protection Level	3.0V0-P
Insulation Category	CAT II or CAT III 600VAC



## CURRENT TRANSFORMER RATIOS

**How to Order / Model Reference**

eg JS24SL 000 100mA

Model JS24SL  
 Primary Current  
 Select code from ratio table  
 Secondary Current  
 100mA

**How to Order / Model Reference**

eg JS36SL 000 100mA

Model JS36SL  
 Primary Current  
 Select code from ratio table  
 Secondary Current  
 100mA

**Current Transformer Ratios**

Primary Current (A)	Metering Burden(VA)			Code
	cl. 0.25	cl. 0.55	cl. 1	
	cl. 0.3	cl. 0.6	cl. 1.2	
250			0.05	250
300			0.05	300

100mA Secondary

**Current Transformer Ratios**

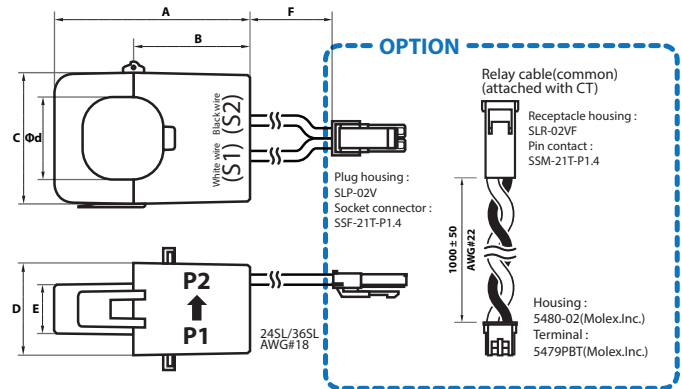
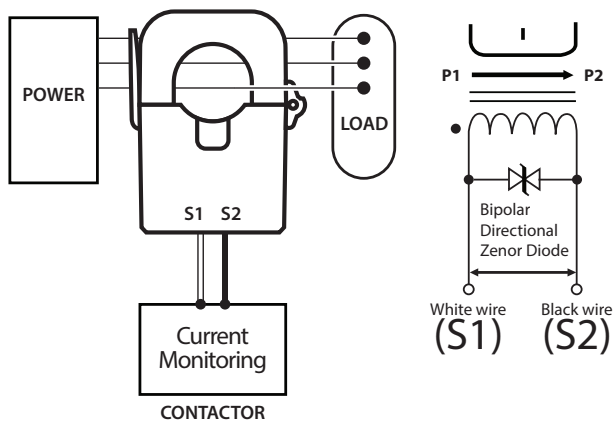
Primary Current (A)	Metering Burden(VA)			Code
	cl. 0.25	cl. 0.55	cl. 1	
	cl. 0.3	cl. 0.6	cl. 1.2	
300			0.05	300
400			0.05	400
500			0.05	500
600			0.05	600

100mA Secondary

Accuracy conforms to IEC61869-2 & IEEE/ANSI C57.13 meets the measuring range from 1 to 120 % of In

Accuracy conforms to IEC61869-2 & IEEE/ANSI C57.13 meets the measuring range from 1 to 120 % of In

## APPLICATIONS / DIMENSIONS



Unit : mm

Model	A	B	C	D	E	F	Ød
JS24SL	65	37.5	45	33.7	21.1	200±20	24
JS36SL	82.4	48	57.1	40.2	21.1	200±20	36