



OPEN LOOP TECHNOLOGY CURRENT SENSORS JHAO-XXXX Series



FEATURES

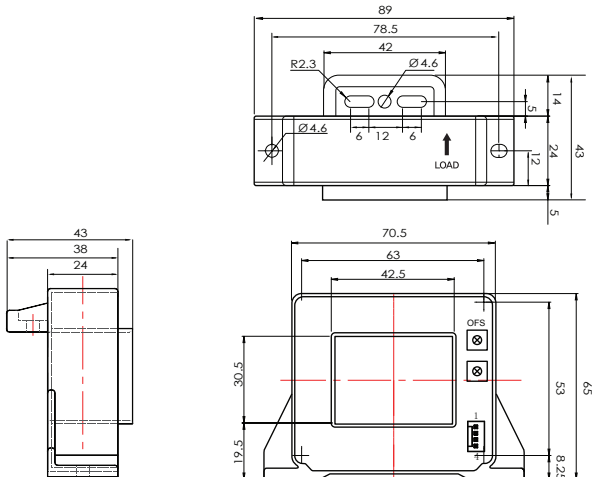
- Panel mounting
- Industrial temperature range
- UL94V0 compliance
- CE and RoHS available

SPECIFICATION

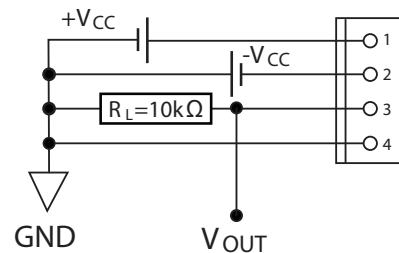
* Suffix(X)=A/B

Model	JHAO-200D(X)	JHAO-400D(X)	JHAO-500D(X)	JHAO-600D(X)	JHAO-750D(X)	JHAO-800D(X)	JHAO-1000D(X)	JHAO-1200D(X)	JHAO-1500D(X)
Rating current	±200A	±400A	±500A	±600A	±750A	±800A	±1000A	±1200A	±1500A
Saturation current	±600A	±1200A	±1500A	±1800A	±2250A	±2400A	±3000A		
Output voltage	±4 V, 1% at rated current RL=10kΩ								
Offset voltage	±30 mV								
Output linearity	±1% rated current								
Power supply	±15 V (±5%)								
Di/dt response time	7 μ sec (Typ.) at di/dt = F.S/μ Sec.								
Output temperature character	± 0.1% / °C (Typ.)								
Offset voltage temperature character	± 1mV / °C (Typ.)								
Hysteresis error	25mV(IF=F.S) Less than 25mV								
Insulation withstand voltage	AC 2500V / 1min.								
Insulation resistance	DC 500V / 500MΩ max								
Operating Condition	-40°C ~ +105°C								
Storage Condition	-40°C ~ +125°C								

DIMENSION(UNIT : MM)



CONNECTION



Terminal Pin	1	2	3	4
Function	+ 15V	- 15V	Output	0V

Core=Silicon steel plate