

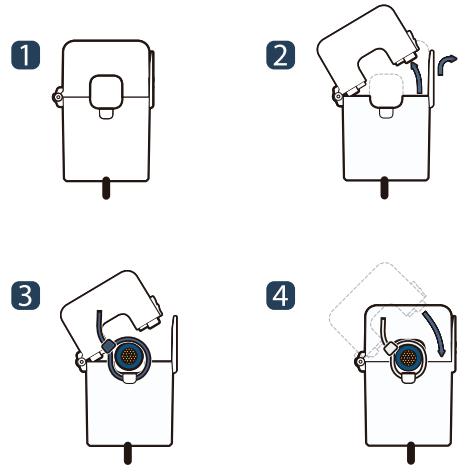


SPLIT-CORE CURRENT TRANSFORMER

JSXXSL-XXX/XXXmA series



HOW TO USE



JS series of split-core current transformer offers XXXmA at secondary from sensed primary current for metering application. Without using secondary CT inside of meter, it enables one meter to be adopted for various current rating by only changing primary CT so it makes compact meter design and reduces developing cost. Also, over-voltage protection circuit is included to offer safe, fast and cost effective installation.

APPLICATIONS

- Energy sub - meter
- Power meters
- Power quality monitoring
- HVAC&Pumps, etc
- Distributed measurement system

FEATURES

- Output-lead-wire, secure locking hinge, one-touch structure make easy to install to the existent equipments such as a power distribution boards.
- Isolated plastic case recognized according to UL94-V0
- UL / EN 61010 - 1 certified

BENEFITS

- Small-size, light-weight
- Simple Installation
- Over-Voltage protection circuit is installed.

NOTICE

- Core contact surface is waterproofed, however if it gets rusty, you could reuse after removing rusts with spraying WD-40 or CRC5-56 on the rusted side.
- Do not use any other chemicals except WD-40 or CRC5-56 on housing or any parts.
- Customizing our put lead wire

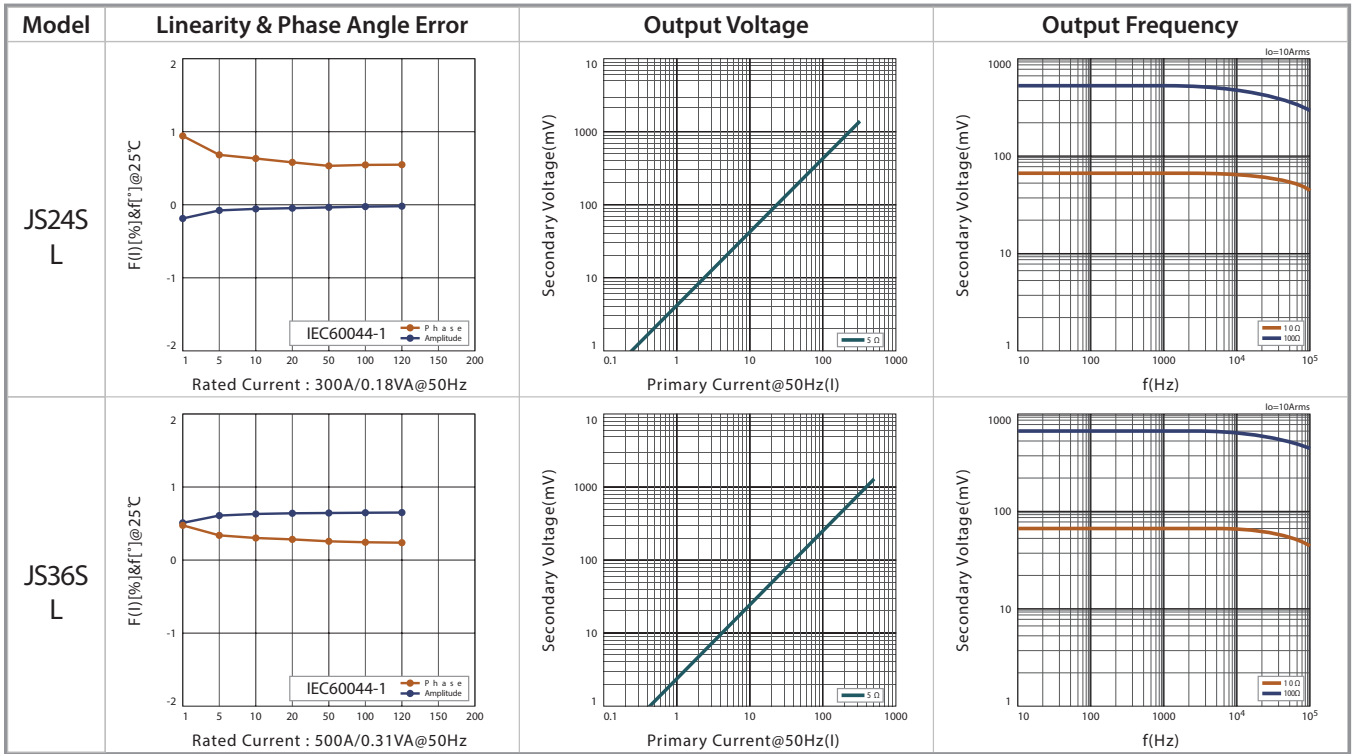
SPECIFICATION

(F=50/60Hz)

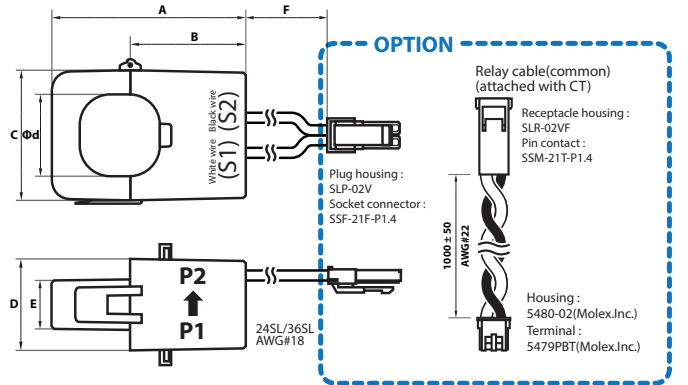
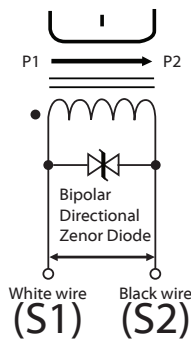
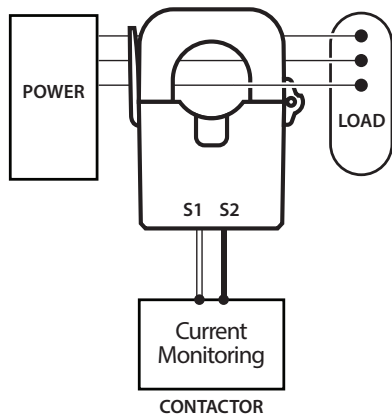
| Model | JS24SL Ø24 | JS36SL Ø36 |
|---------------------------|--|-------------------------|
| Current Ratio | 250A/125mA | 400A/200mA |
| Current Range | 0.1~300A (RL=5Ω) | 0.1~500A (RL=5Ω) |
| Max Continuous Current | 360A | 600A |
| Nominal Phase Angle Error | +0.5±0.5° | +0.5±0.5° |
| Nominal Linearity Error | ±1% | ±1% |
| Turns Ratio | 2000:1(Winding : 1980T) | 2000:1(Winding : 1970T) |
| DCR | 70±5Ω | 33±4Ω |
| Protection Level | 3.0V0-P | |
| Insulation Category | CATIII | |
| Operating Condition | -20°C~+50°C, ≤85%RH, No condensation, In-house & Any direction installable | |
| Storage Condition | -30°C~+90°C, ≤85%RH, No condensation | |



ACCURACY DATA



APPLICATIONS / DIMENSIONS



Unit : mm

| Model | A | B | C | D | E | F | Ød |
|--------|------|------|------|------|------|--------|----|
| JS24SL | 65 | 37.5 | 45 | 33.7 | 21.1 | 200±20 | 24 |
| JS36SL | 82.4 | 48 | 57.1 | 40.2 | 21.1 | 200±20 | 36 |