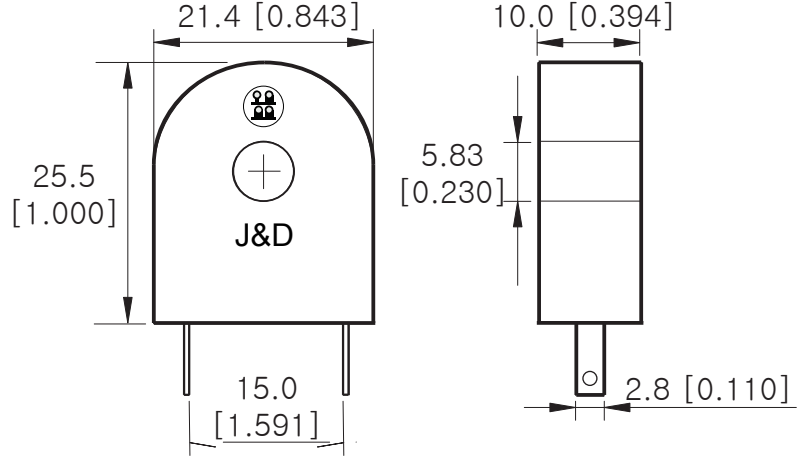
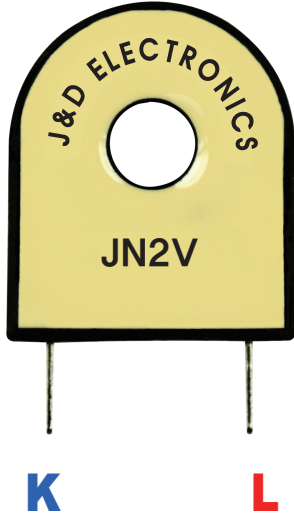




Without DC-Tolerance Current Transformer JN2V

Dimension >>>>

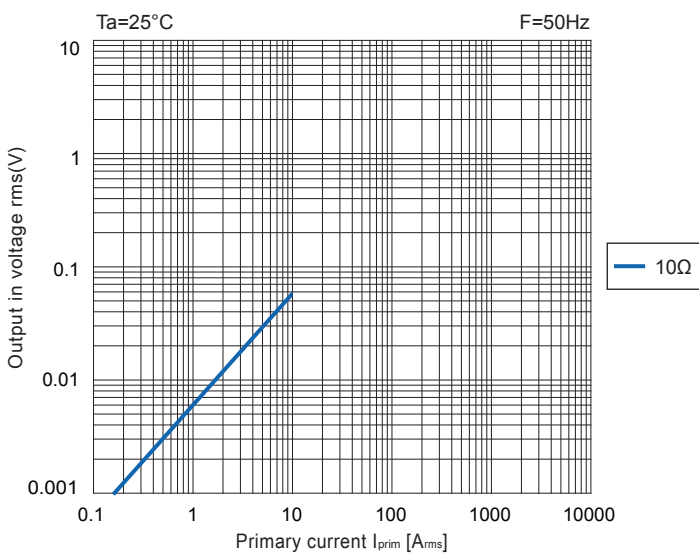


Unit : mm [inch]

Accuracy conforms to IEC 61869-2,
meets the measuring range from 1 to 120 % of I_n

Model	Primary Current Range		Error	Turns Ratio	Characteristic Value					Terminal Structure	Inner Dia.Ø
	Rated Current	Max Current	Phase $\phi(I)$ [°]		I_{max} [Arms]	L [H]	Rcu [Ω]	RB [Ω]	UB [Vrms]		
JN2V	5/10	25	0.46	1:1600	6	60	143	10	0.037	Pin	5.83

>>>> Output Voltage Data



>>>> Temperature Data

