

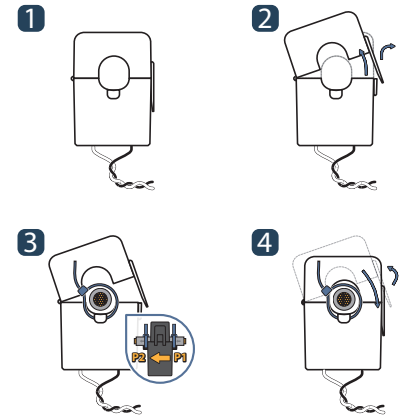


# SPLIT-CORE CURRENT TRANSFORMER

## JCXXFL-333mV series



### HOW TO USE



JC series of split-core current transformer offers 333mV at secondary from sensed primary current. Without using secondary CT inside of meter, users directly connect JC series to meter for high accuracy metering application. It enables one meter to be adopted for various current rating by only changing primary CT so it makes compact meter design and reduces developing cost. Also, over-voltage protection circuit is included to offer safe, fast and cost effective installation.

### APPLICATIONS

- Energy sub - meter
- Power meters
- Power quality monitoring
- HVAC&Pumps, etc
- Distributed measurement system

### FEATURES

- High accuracy : 1% from 10% to 120% of rated current
- Nylon-spring, output-terminal, secure locking hinge, one-touch structure makes easy to install to the existent equipments such as a power distribution boards.
- Isolated plastic case recognized according to UL94-V0
- UL / EN 61010-1 certified

### BENEFITS

- Small-size, light-weight
- Simple Installation
- Over-Voltage protection circuit is installed.

### NOTICE

- If you impact the core contact surface, internal core material could be damaged.
- Customizing output lead wire

### SPECIFICATION

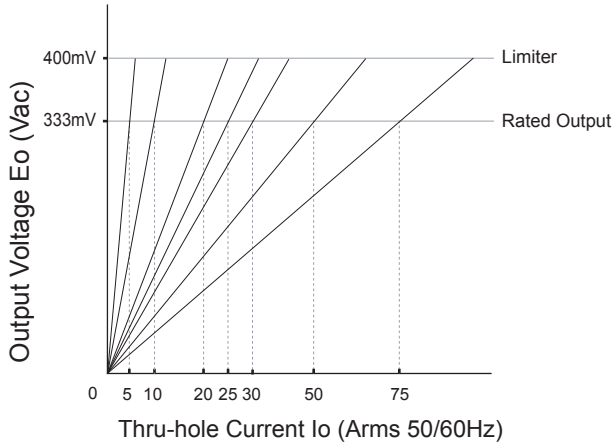
(F=50/60Hz)

Model	JC10FL-333(xxx) Ø10	JC16FL-333(xxx) Ø16
Amperage Range	5, 10, 20, 25 30, 50, 75	70, 100
Output Voltage	333mV	
Nominal Phase Angle Error	+1.5 ± 1°	+1.0 ± 1°
Nominal Linearity Error	-1 ± 1%	-1 ± 1%
Protection Level	2.2V0-P	
Insulation Category	CATIII	
Operating Condition	-20°C~+50°C, ≤85%RH, No condensation, In-house & Any direction installable	
Storage Condition	-30°C~+90°C, ≤85%RH, No condensation	

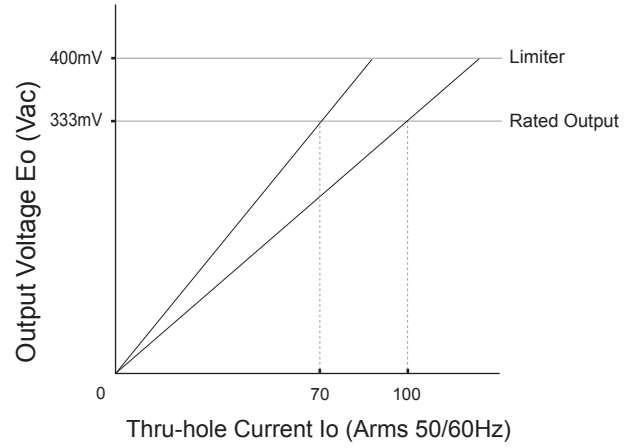


## OUTPUT VOLTAGE DATA

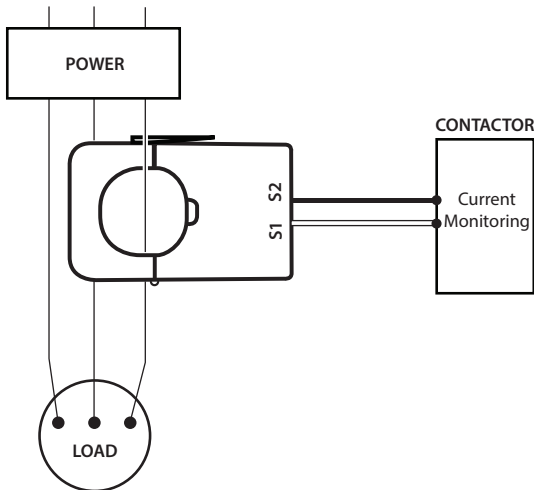
### JC10FL-333



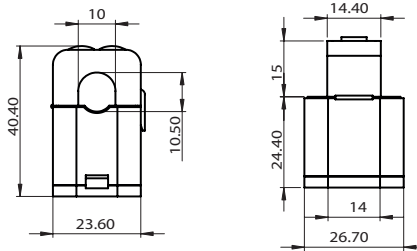
### JC16FL-333



## APPLICATIONS / DIMENSIONS



### JC10FL-333



### JC16FL-333

