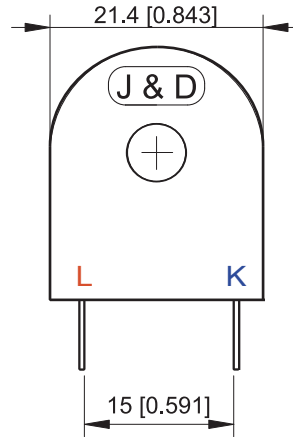
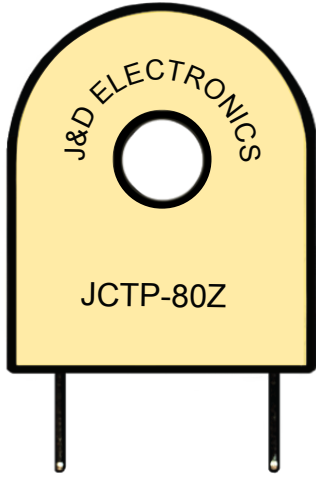




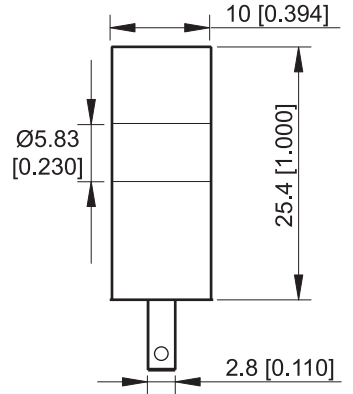
Current Transformer

JCTP-80Z

Dimension >>>>



Front View



Side View

Unit : mm [inch]

Accuracy conforms to IEC 61869-2,
meets the measuring range from 1 to 120 % of I_n

Model	Primary Current Range		Error	Turns Ratio	Characteristical Value					Terminal Structure	Inner Dia.Ø
	Rated Current	Max Current	Phase $\phi(I) [^\circ]$		I_{max} [Arms]	L [H]	Rcu [Ω]	RB [Ω]	UB [Vrms]		
JCTP-80Z	5	20	0.64	1:800	4	13	38	8	0.04	Pin	5.83

>>>> Output Voltage Data

