



# CLAMP ON AC CURRENT PROBE



Clamp-on current probe is suitable for primary ranges from 5A to 1,000A AC with mA, 1A, 5A, 333mV, 1V, 2V, 5V AC and 0-5V DC secondary.

It improves both existing errors in low current and error occurred by external vibration and shock with strong durability and minimum tolerance on cutting cross section of core. Main applications are power analyzer, portable power meter tester and portable smart meter tester, etc



# CONTENTS

## CLAMP ON AC CURRENT PROBE

6	JCP08-XXX-XXX series
7	JCP10-XXX-XXX series
8	JCP15-XXX-XXX series
9	JCP21-XXX-XXX series
10	JCP52-XXX-XXX series



# CLAMP ON AC CURRENT PROBE JCP08-XXX-XXX series



Clamp and compact, the AC current probe model JCP08 is the ideal complement for any multimeter to measure AC current in low-power for industrial applications. It offers excellent resolution for measuring AC intensities from 5mA to 100A.

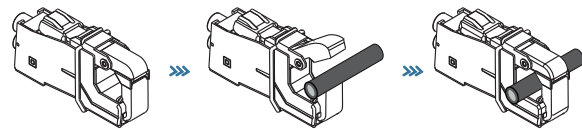
## APPLICATIONS

- Dual range
- Small compact size
- Measurement ranges of 5mA AC to 200A AC
- Designed to EN 61010, 600V CATIII safety standard.
- Double insulation
- CE mark

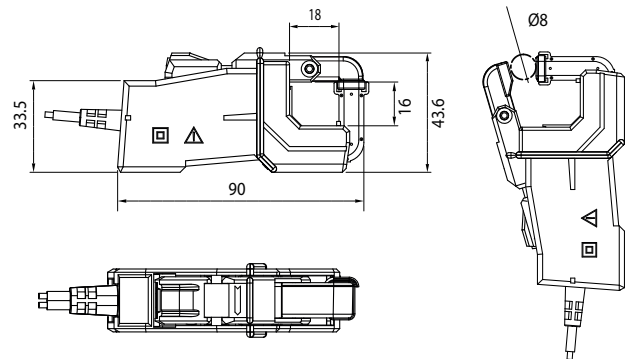
## FEATURES

- Measuring in breaker panels
- Industrial loads
- HVAC
- Residential and commercial sites
- data logging/recording

## HOW TO USE



## DIMENSIONS



## SPECIFICATION

Series	Inner Dia. Ø(mm)	Rated current(A)	Measuring Range	Power Supply Range & Type	Output
JCP08-1k	Ø08	5/10/20/25/50/100/200A	0.005~200Arms	self power	INSTANTANEOUS CURRENT AC
JCP08-1.5k	Ø08	5/10/20/25/50/100/200A	0.005~200Arms	self power	INSTANTANEOUS CURRENT AC
JCP08-2k	Ø08	5/10/20/25/50/100/200A	0.005~200Arms	self power	INSTANTANEOUS CURRENT AC
JCP08-2.5k	Ø08	5/10/20/25/50/100/200A	0.005~200Arms	self power	INSTANTANEOUS CURRENT AC
JCP08-3k	Ø08	5/10/20/25/50/100/200A	0.005~200Arms	self power	INSTANTANEOUS CURRENT AC
JCP08-AAC	Ø08	100/200A	0.1~200Arms	self power	1A AC
JCP08-VAC	Ø08	5/10/20/25/50A	0.01~60Arms	self power	1V,2V, 5V AC



# CLAMP ON AC CURRENT PROBE JCP10-XXX-XXX series



Clamp and compact, the AC current probe model JCP10 is the ideal complement for any multi meter to measure AC current in low-power for industrial applications. It offers excellent resolution for measuring AC intensities from 5mA to 100A.

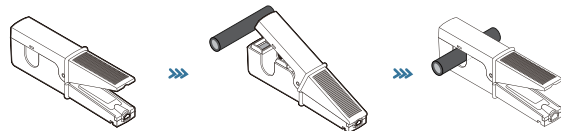
## APPLICATIONS

- Dual range
- Small compact size
- Measurement ranges of 5mA AC to 100A AC
- Designed to EN 61010, 600V CATIII safety standard.
- Double insulation
- CE mark

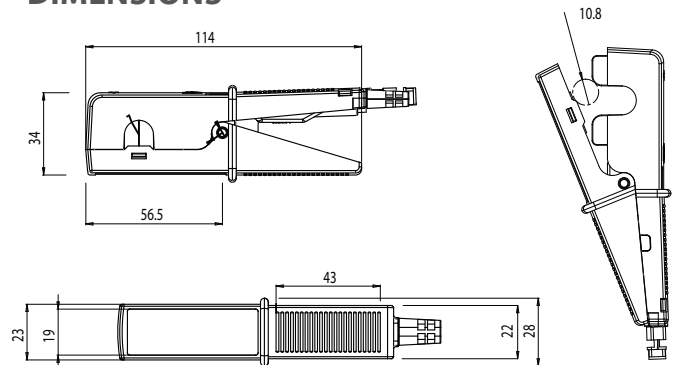
## FEATURES

- Measuring in breaker panels
- Industrial loads
- HVAC
- Residential and commercial sites
- data logging/recording

## HOW TO USE



## DIMENSIONS



## SPECIFICATION

Series	Inner Dia. Ø(mm)	Rated current(A)	Measuring Range	Power Supply Range & Type	Output
JCP10-1k	Ø10	10/100A	0.005~120Arms	self powerd	INSTANTANEOUS CURRENT AC
JCP10-1.5k	Ø10	10/100A	0.005~120Arms	self powerd	INSTANTANEOUS CURRENT AC
JCP10-2k	Ø10	5/10/20/25/50/100A	0.005~120Arms	self powerd	INSTANTANEOUS CURRENT AC
JCP10-2.5k	Ø10	5/10/20/25/50/100A	0.005~120Arms	self powerd	INSTANTANEOUS CURRENT AC
JCP10-3k	Ø10	5/10/20/25/50/100A	0.005~120Arms	self powerd	INSTANTANEOUS CURRENT AC
JCP10-333	Ø10	5/10/20/25/50/100A	0.005~60Arms	self powerd	333mV AC
JCP10-001	Ø10	5/10/20/25/50A	0.005~60Arms	self powerd	1V AC
JCP10-002	Ø10	5/10A	0.005~12Arms	self powerd	2V AC
JCP10-005	Ø10	5A	0.005~6Arms	self powerd	5V AC



# CLAMP ON AC CURRENT PROBE JCP15-XXX-XXX series



Clamp and compact, the AC current probe model JCP15 is the ideal complement for any multimeter to measure AC current in low-power for industrial applications. It offers excellent resolution for measuring AC intensities from 5mA to 100A.

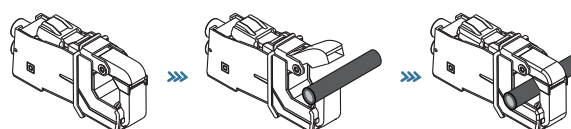
## APPLICATIONS

- Dual range
- Small compact size
- Measurement ranges of 5mA AC to 200A AC
- Designed to EN 61010, 600V CATIII safety standard.
- Double insulation
- CE mark

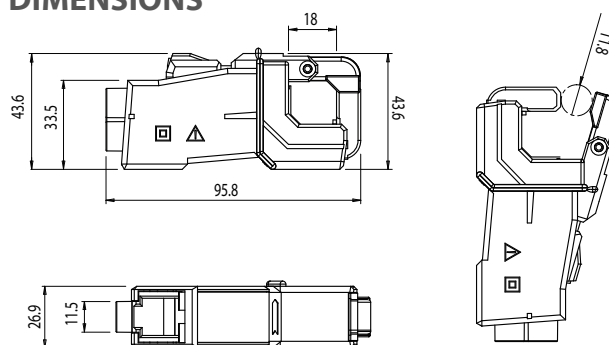
## FEATURES

- Measuring in breaker panels
- Industrial loads
- HVAC
- Residential and commercial sites
- data logging/recording

## HOW TO USE

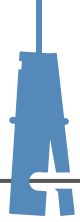


## DIMENSIONS



## SPECIFICATION

Series	Inner Dia. Ø(mm)	Rated current(A)	Measuring Range	Power Supply Range & Type	Output
JCP15-1k	Ø15	5/10/20/25/50/100/200A	0.005~200Arms	self power	INSTANTANEOUS CURRENT AC
JCP15-1.5k	Ø15	5/10/20/25/50/100/200A	0.005~200Arms	self power	INSTANTANEOUS CURRENT AC
JCP15-2k	Ø15	5/10/20/25/50/100/200A	0.005~200Arms	self power	INSTANTANEOUS CURRENT AC
JCP15-2.5k	Ø15	5/10/20/25/50/100/200A	0.005~200Arms	self power	INSTANTANEOUS CURRENT AC
JCP15-3k	Ø15	5/10/20/25/50/100/200A	0.005~200Arms	self power	INSTANTANEOUS CURRENT AC
JCP15-AAC	Ø15	100/200A	0.1~200Arms	self power	1A AC
JCP15-VAC	Ø15	5/10/20/25/50A	0.01~60Arms	self power	1V,2V, 5V AC



# CLAMP ON AC CURRENT PROBE JCP21-XXX-XXX series



Clamp and compact, the AC/DC current probe model JCP21 is the ideal complement for any multimeter to measure AC current in low-power with secondary, 0-5V 0-10V DC output. With its two ranges, it offers excellent resolution for measuring AC intensities from 1mA to 300A and DC intensities from 100mA to 300A.

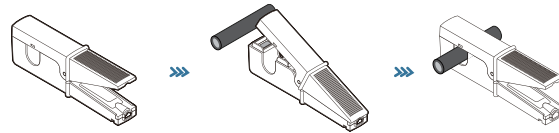
## APPLICATIONS

- Dual range
- Small compact size
- Measurement ranges of 1mA AC to 300A AC
- Measurement ranges of 100mA DC to 300A DC
- Designed to EN 61010, 600V CATIII safety standard.
- Double insulation
- CE mark

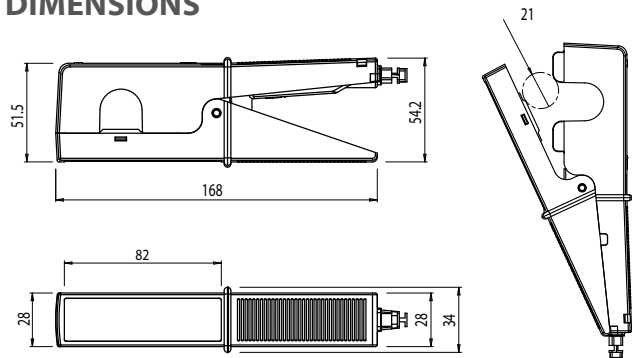
## FEATURES

- Measuring in breaker panels
- Industrial loads
- HVAC
- Residential and commercial sites
- data logging/recording

## HOW TO USE



## DIMENSIONS



## SPECIFICATION

Series	Inner Dia. Ø(mm)	Rated current(A)	Measuring Range	Power Supply Range & Type	Output
JCP21-1k	Ø21	5/10/20/25/50/100/150/200/250A	0.001~250Arms	self powerd	INSTANTANEOUS CURRENT AC
JCP21-1.5k	Ø21	5/10/20/25/50/100/150/200/250/300A	0.001~300Arms	self powerd	INSTANTANEOUS CURRENT AC
JCP21-2k	Ø21	5/10/20/25/50/100/150/200/250/300A	0.001~300Arms	self powerd	INSTANTANEOUS CURRENT AC
JCP21-2.5k	Ø21	5/10/20/25/50/100/150/200/250/300A	0.001~300Arms	self powerd	INSTANTANEOUS CURRENT AC
JCP21-3k	Ø21	5/10/20/25/50/100/150/200/250/300A	0.001~300Arms	self powerd	INSTANTANEOUS CURRENT AC
JCP21-5k	Ø21	5/10/20/25/50/100/150/200/250/300A	0.001~300Arms	self powerd	INSTANTANEOUS CURRENT AC
JCP21-AAC	Ø21	100/125/150/200/250A	0.001~300Arms	self powerd	1A,5A AC
JCP21-VAC	Ø21	5/10/20/25/50/100/150/200/250A	0.001~300Arms	self powerd	333mV, 1V,2V,5V AC
JCP21-VDC	Ø21	5/10/20/25/50/100/150/200/250/300A	0.1~300Arms	± 15VDC	0-5V,0-10V DC



# CLAMP ON AC CURRENT PROBE JCP52-XXX-XXX series



Clamp and compact, the AC/DC current probe model JCP52 is the ideal complement for any multimeter to measure AC/DC current in low-power with secondary, 0-5V 0-10V DC output. With its two ranges, it offers excellent resolution for measuring AC intensities from 1mA to 1000A and DC intensities from 100mA to 1200A.

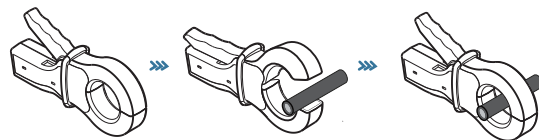
## APPLICATIONS

- Dual range
- Small compact size
- Measurement ranges of 1mA AC to 1200A AC
- Measurement ranges of 100mA DC to 1200A DC
- Designed to EN 61010, 600V CATIII safety standard.
- Double insulation
- CE mark

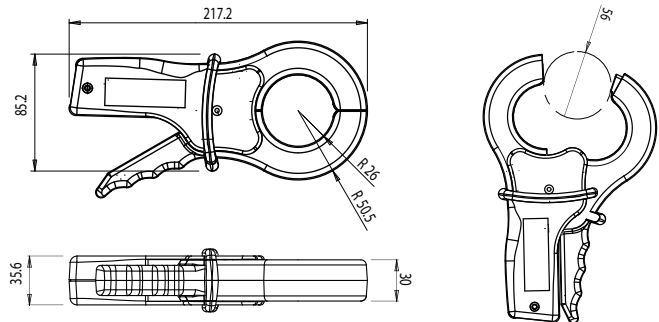
## FEATURES

- Measuring in breaker panels
- Industrial loads
- HVAC
- Residential and commercial sites
- data logging/recording

## HOW TO USE



## DIMENSIONS



## SPECIFICATION

Series	Inner Dia. Ø(mm)	Rated current(A)	Measuring Range	Power Supply Range & Type	Output
JCP52-1k	Ø52	100/200/250/400/600/800/1000A	0.001~1200Arms	self power	INSTANTANEOUS CURRENT AC
JCP52-2k	Ø52	100/200/250/400/600/800/1000A	0.001~1200Arms	self power	INSTANTANEOUS CURRENT AC
JCP52-2.5k	Ø52	100/200/250/400/600/800/1000A	0.001~1200Arms	self power	INSTANTANEOUS CURRENT AC
JCP52-3k	Ø52	100/200/250/400/600/800/1000A	0.001~1200Arms	self power	INSTANTANEOUS CURRENT AC
JCP52-6k	Ø52	100/200/250/400/600/800/1000A	0.001~1200Arms	self power	INSTANTANEOUS CURRENT AC
JCP52-AAC	Ø52	100/200/250/400/600/800/1000A	0.001~1200Arms	self power	1A,5A AC
JCP52-VAC	Ø52	100/200/250/400A	0.001~480Arms	self power	333mV, 1V,2V,5V AC
JCP52-VDC	Ø52	100/200/250/400/600/800/1000A	0.1~1200Arms	± 15VDC	0-5V,0-10V DC