

RFID Transponder Key fob „A“



Technologies:

125 kHz:

EM 4102
EM 4150
Hitag-1
Hitag-2
Temic 5551

13,56 MHz:

Mifare
Legic
I-Code
weitere auf
Anfrage



Colours casing and cover (similar):

black RAL9011	white RAL9016
red RAL3000	turquoise RAL5018
blue RAL5017	brown RAL8028
yellow RAL1016	orange HKS07K
green RAL6024	grey RAL7035

Construction / application:

The casing is moulded from high quality ABS plastic, and is thus extremely resistant to shock and breakage.

The cover is ultrasonically welded for a watertight and tamperproof casing seal (to a minimum of IP65). This provides a high degree of security for the user and also for contactless payment and access systems operators.

Colours / combinations:

The casing is available in many styles (see colour table).

The standard colour for the cover is grey. Special colours available on request (see colour table).

The cover can also be inscribed and personalised in various ways. We offer a range of interesting options, from laser inscription of a number and a logo to a personalised UV-printed 4-colour image (or alternatively, laminated).

Transponder:

The key fob is available with various transponders (see Technologies).

Special combinations: We combine most 125 kHz transponders with 13.56 MHz systems. We can supply double transponders in a variety of options.

hr electronic gmbh
Vogelherd 23
D-78176 Blumberg

Phone: +49 (0)7702-477 960

Fax: +49 (0)7702-477 989

Email: info@hrelectronic.com

Internet: www.hrelectronic.com

RFID transponder Key fob „B“

Technologies:

125 kHz:

EM 4102
EM 4150
Hitag-1
Hitag-2
Temic 5551

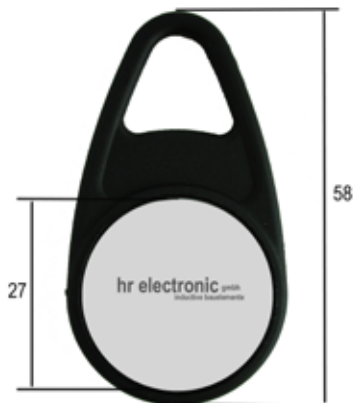
13,56 MHz:

Mifare
Legic
I-Code
others on
request



Colours casing and cover (similar):

black RAL9011	green RAL6024
red RAL3000	yellow RAL1016
blue RAL5017	grey RAL7035



Construction / application:

The casing is moulded from high quality ABS plastic, and is thus extremely resistant to shock and breakage.

The cover is pressed on with the casing. The transponder in its casing is usually (depending on the transponder type) supplied in water-resistant laminate.

Because of its somewhat longer structure, this key fob is suitable for use in automatic drinks dispensers.

Colours / combinations:

The standard colours for the casing are black, blue, red, yellow and green. The standard colour for the cover is grey.

Special colours are available on request for both casing and cover.

The key fob can be personalised either by laser inscription or by UV printing with a logo. Sequential numbers can also be added.

The chips can be programmed to the customer's requirement (only for R/W).

Transponder:

The key fob is available with various transponders (see Technologies).

Special combinations: We combine most 125 kHz transponders with 13.56 MHz systems. We can supply double transponders in almost all options.

hr electronic gmbh
Vogelherd 23
D-78176 Blumberg

Phone: +49 (0)7702-477 960

Fax: +49 (0)7702-477 989

Email: info@hrelectronic.com

Internet: www.hrelectronic.com

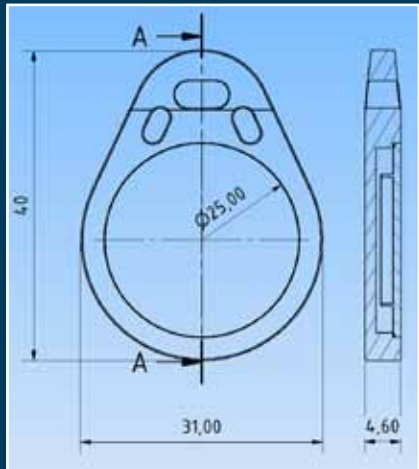
RFID transponder Key fob „D“



Technologies:

125 kHz:
EM 4102
EM 4150
Hitag-1
Hitag-2
Temic 5551

others on
request



Colours Cover and casing (similar):

black RAL9011	white RAL9016
red RAL3000	turquoise RAL5018
blue RAL5017	brown RAL8028
yellow RAL1016	orange HKS07K
green RAL6024	grey RAL7035

Construction / application:

The casing is moulded from high quality ABS plastic, and is thus extremely resistant to shock and breakage. For particularly rugged applications, the transponder can also be cast into the cover if desired. The cover is then ultrasonically welded for a watertight and tamperproof casing seal (to a minimum of IP65). This provides a high degree of security for the user and also for contactless payment and access systems operators.

Colours / combinations:

The casing is available in various styles (see colour table), and the cover is grey.

The cover can also be inscribed and personalised in various interesting ways – from laser inscription of a number and a logo, up to a personalised UV-printed 4-colour image.

Transponder:

The key fob is available with various transponders (see Technologies).

hr electronic gmbh
Vogelherd 23
D-78176 Blumberg

Phone: +49 (0)7702-477 960

Fax: +49 (0)7702-477 989

Email: info@hrelectronic.com

Internet: www.hrelectronic.com

RFID Transponder Key fob „S“



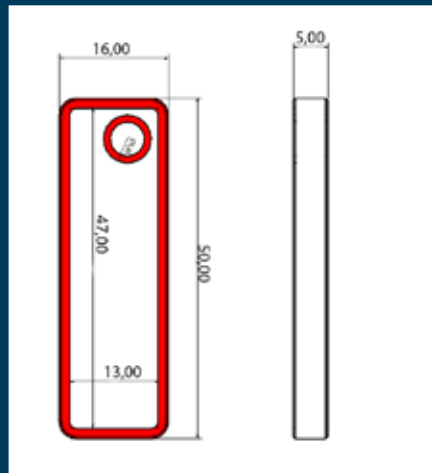
Technologies:

125 kHz:

Hitag-1
Hitag-2
Hitag-S 2048
EM 4450

13,56 MHz:

Legic MIM 256
Mifare Standard
1k
others on
request



Colours casing and cover (similar):

black RAL9011	white RAL9016
red RAL3000	turquoise RAL5018
blue RAL5017	brown RAL8028
yellow RAL1016	orange HKS07K
green RAL6024	purple RAL4006

Construction / application:

This key fob combines elegance with modern technology. Despite its slender shape, the distance from which it can be read is not significantly less than for Style A (depending on the type of reader that is used). The matt finish of the frame offers a pleasing contrast to the high gloss finish of the cover (the cover is also available in matt finish).

With dimensions 16 x 50 mm, our Style S key fob is even smaller than a conventional key.

This key fob style retains the well-known advantages of our Style A key fobs, e.g. ultrasonically welded, watertight and able to be printed.

Colours / combinations:

For batches of more than 1,000 units, the key fob can be configured to suit customer requirement, with freely selectable frame and cover colours. Semi-transparent colours can also be supplied.

As "exclusive standard versions" we can supply the frame in matt black with a cover in gloss white, or vice versa.

The cover can be laser inscribed or UV printed (for the white cover) to suit your individual requirement.

Transponder:

The key fob can be supplied with various transponders (see Technologies).

Special combinations: We combine most 125 kHz transponders with 13.56 MHz systems. Double transponders are available in various options.

hr electronic gmbh
Vogelherd 23
D-78176 Blumberg

Phone: +49 (0)7702-477 960

Fax: +49 (0)7702-477 989

Email: info@hrelectronic.com

Internet: www.hrelectronic.com

RFID transponder Key fob „SE / SE+“



Technologies:

125 kHz:

EM 4102
EM 4450
Hitag-1
Hitag-2

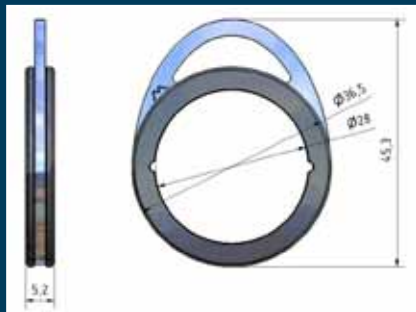
13,56 MHz:

Mifare Std
Mifare Desfire
Legic
others on request



Colours basic body (similar):

black RAL9004	white RAL9016
red RAL3000	blue RAL5003
pink Pant.674	light blue HKS44
yellow RAL1016	green RAL6024
orange RAL2003	light green Pant.367



Construction / application:

Our new, ultra-modern type *SE* and *SE+* key fobs represent the ongoing development of the well-known type *A* key fobs. Two models are available, both incorporating a massive polished stainless steel frame that elegantly follows the contours of the transponder. The *SE+* unit differs from the *SE* by including an individually printable cover on the front.

The *SE/SE+* fobs, in addition to being ultrasonically welded and watertight (**IP 64**), can also be detected by a metal detector so that they can be used easily in sensitive environments such as the food industry.

Colours / combinations:

The basic body is available in many styles (see colour table). The printable cover of the *SE+* unit is white as standard, with other colours available on request.

The *SE* unit can be personalised by laser inscription of a sequential number and a logo (on either one side or both sides). The *SE+* unit can be individually UV-printed or under laminate, to suit your specific requirements.

Technologies:

Both styles can be supplied with virtually all currently available chip variations (see Technologies).

Special combinations of 125 kHz transponders and 13.56 MHz systems are available on request.

hr electronic gmbh
Vogelherd 23
D-78176 Blumberg

Phone: +49 (0)7702-477 960

Fax: +49 (0)7702-477 989

Email: info@hrelectronic.com

Internet: www.hrelectronic.com

RFID transponder Key fob „Exis“



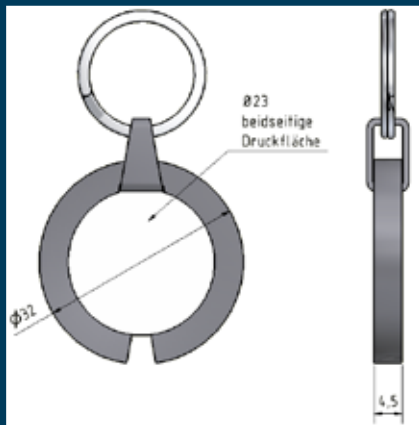
Technologies:

125 kHz:

EM 4102
EM 4150
Hitag-1
Hitag-2
Temic 5551

13,56 MHz:

Mifare
Legic
I-Code



Colours cover (similar):

blue RAL5012	white RAL9016
red HKS14	yellow HKS01
green HKS64	

Construction / application:

The appeal of the *Exis key fob* lies in its elegant design combined with high quality workmanship, which sets new standards. It is manufactured in polished stainless steel and plastic. The plastic cover is absolutely watertight, and makes it impossible to open the key fob.

Farben / Kombinationen: Colours / combinations:

The cover is available in various standard colours (see colour table).

The cover can also be used to display advertising or other data. A huge range of options is available, from wear-resistant laser inscription with a number, to direct UV printing of 4-colour images. Data is printed in accordance with your specification and requirements. The personalised data in the print window is bonded firmly with the key fob and cannot be removed without destroying the fob.

Transponder:

The key fob can be supplied with various transponders (see Technologies).

Special combinations: We combine most 125 kHz transponders with 13.56 MHz systems. Double transponders can be supplied in various options.

hr electronic gmbh
Vogelherd 23
D-78176 Blumberg

Phone: +49 (0)7702-477 960

Fax: +49 (0)7702-477 989

Email: info@hrelectronic.com

Internet: www.hrelectronic.com