

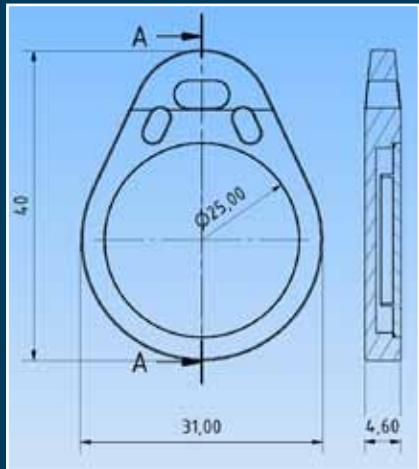
RFID transponder Key fob „D“



Technologies:

125 kHz:
EM 4102
EM 4150
Hitag-1
Hitag-2
Temic 5551

others on
request



Colours Cover and casing (similar):

black RAL9011	white RAL9016
red RAL3000	turquoise RAL5018
blue RAL5017	brown RAL8028
yellow RAL1016	orange HKS07K
green RAL6024	grey RAL7035

Construction / application:

The casing is moulded from high quality ABS plastic, and is thus extremely resistant to shock and breakage. For particularly rugged applications, the transponder can also be cast into the cover if desired. The cover is then ultrasonically welded for a watertight and tamperproof casing seal (to a minimum of IP65). This provides a high degree of security for the user and also for contactless payment and access systems operators.

Colours / combinations:

The casing is available in various styles (see colour table), and the cover is grey.

The cover can also be inscribed and personalised in various interesting ways – from laser inscription of a number and a logo, up to a personalised UV-printed 4-colour image.

Transponder:

The key fob is available with various transponders (see Technologies).

hr electronic gmbh
Vogelherd 23
D-78176 Blumberg

Phone: +49 (0)7702-477 960

Fax: +49 (0)7702-477 989

Email: info@hrelectronic.com

Internet: www.hrelectronic.com