

A-Line Series Controls

HUNT *Simplicity*® Architectural Full Range Fluorescent Dimmers for use with Electromagnetic Fluorescent Lighting 120V and 277V



120V

AF-5
AF-5-3W
AF-10

277V

AF-527
AF-527-3W
AF-1027
AF-1027-3W

120V

AF-15

277V

AF-1527

Hunt Control Systems Inc.
200 Rome Court
Fort Collins CO 80524

Product Description:

- Commercial-grade wall controls for T12 fluorescent lamps (compatible ballast required-see below).
- Commercial-grade, rotary design.
- Heat sink fins break off for ganging.
- Limited one-year warranty.

Features:

- Solid-state circuitry.
- RFI filter.
- UL Listed.
- Fits in a standard 2" deep single-gang back box.
- Maximum number of lamps controlled by one dimmer:
AF-5, AF-5-3W, AF-527, AF-527-3W: 12 lamps
AF-10: 18 lamps
AF-1027, AF-1027-3W: 20 lamps
AF-15: 28 lamps
AF-1527: 30 lamps

Tel: (970) 484-9048
Fax: (970) 493-4125
huntdimming.com

Compatible Ballasts	
120V	
GE-Valmont 8G-1718	Advance Dim 240-H-TP (2 lamp)
GE-Valmont 8G-5001	Universal 550-L
GE-Valmont 8G-5007 (2 lamp)	Universal 550-L-TC-P
Advance Dim 140-H	Universal 502-A (2 lamp)
Advance Dim 140-H-TP	Universal 502-A-TCF-P (2 lamp)
Advance Dim 240-H (2 lamp)	Advance Dim 240-H-TP (2 lamp)
277V	
Universal 679-L-TC-P	
Universal 678-A (2 lamp)	

Dimming.

It's all we do.
Since 1960.

Heat Sink Dimensions:

AF-5, AF-5-3W, AF-10, AF-527, AF-527-3W, AF-1027, AF-1027-3W : 3"W x 4 1/2"H
AF-15, AF-1527: 4 3/4"W x 4 1/2"H
Backbox dimensions on all models: 1 5/8" x 2 5/8" x 1 3/8"

**Installation and Wiring Instructions
for HUNT *Simplicity*[®]
Architectural Electromagnetic Fluorescent Controls
Single Pole and Three Way
120V, 60Hz**

These dimmers are designed for electro-magnetic fluorescent, permanently installed fixtures using an approved ballast (see below) and rapid start 40 watt lamps.

Models:

A-Line Series: AF-5, AF-5-3W, AF-10, AF-15

Accent Series: ASF-5, ASF-5-3W, ASF-10, ASF-15

Omega Series: SCF-5, SCF-10, SCF-15

Load: (A minimum load of two (2) lamps is required)

AF-5, AF-5-3W, ASF-5, ASF-5-3W, SCF-5;	12 lamps
AF-10, ASF-10, SCF-10;	18 lamps
AF-15, ASF-15, SCF-15;	28 lamps

Caution:

To reduce the risk of overheating and possible damage to other equipment, do not install to control a receptacle, a motor-operated appliance, or a transformer-supplied appliance.

Avertissement:

Pour réduire le risque de surchauffes et les dommages possibles à l'autre équipement, ne pas installer pour contrôler une prise, un appareil moteur-fonctionné, ou un transformateur d'alimentation magnétique appareil fourni.

Read Carefully Before Installing Dimmers:

To avoid fire, personal injury, and/or damage to dimmer, turn power *OFF* at circuit breaker and test that power is *OFF* before wiring.

Notes:

- 1.) Fins must be mounted in vertical position and must not be recessed into the wall. When stacking dimmers or mounting one above the other, allow a minimum of three inches of clear wall space between the upper and lower finned plates.
- 2.) The aluminum chassis of this lighting control is designed as a heat sink to dissipate heat generated by the proper functioning of the circuit components. The fins may be very warm to the touch when the lighting control is operating at its maximum rated load. This is normal operation and does not indicate malfunction.
- 3.) Due to electro-magnetic radiation produced by all solid state lighting controls, the load, dimmer, and connecting wires should be located as far away as possible from radios, intercom units or public address systems. Six feet is the recommended minimum distance.
- 4.) Burn-in lamps at fullbright for a minimum 100 hours before attempting to dim and adjust trim.
- 5.) Dimmers may be ganged in any combination. See reverse for derating and wallbox size.

Wiring Diagrams: See reverse side.

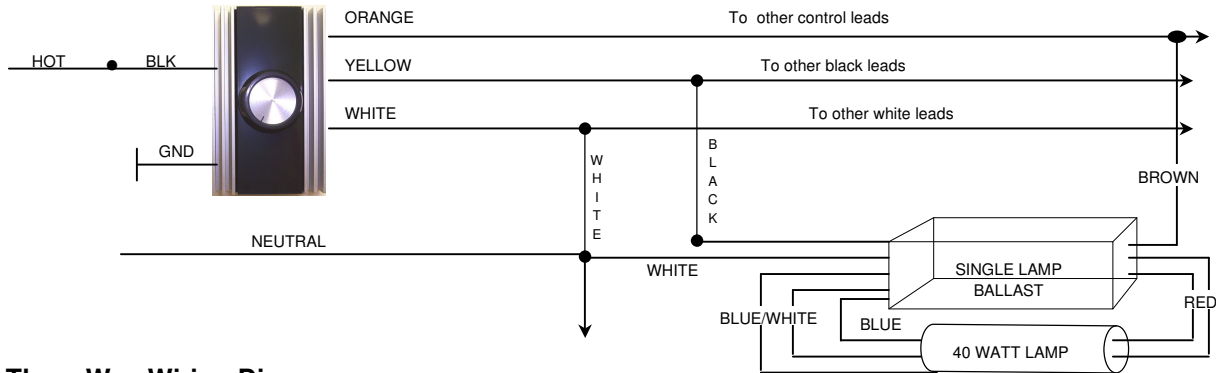
Compatible Ballasts	
120V	
GE-Valmont 8G-5001	Advance Dim 240-H-TP (2 lamp)
GE-Valmont 8G-5007 (2 lamp)	Universal 550-L
Advance Dim 140-H	Universal 550-L-TC-P
Advance Dim 140-H-TP	Universal 502-A (2 lamp)
Advance Dim 240-H (2 lamp)	Universal 502-A-TC-P (2 lamp)

(Additional ballasts may also be compatible with this dimmer. Call HUNT to verify compatibility.)

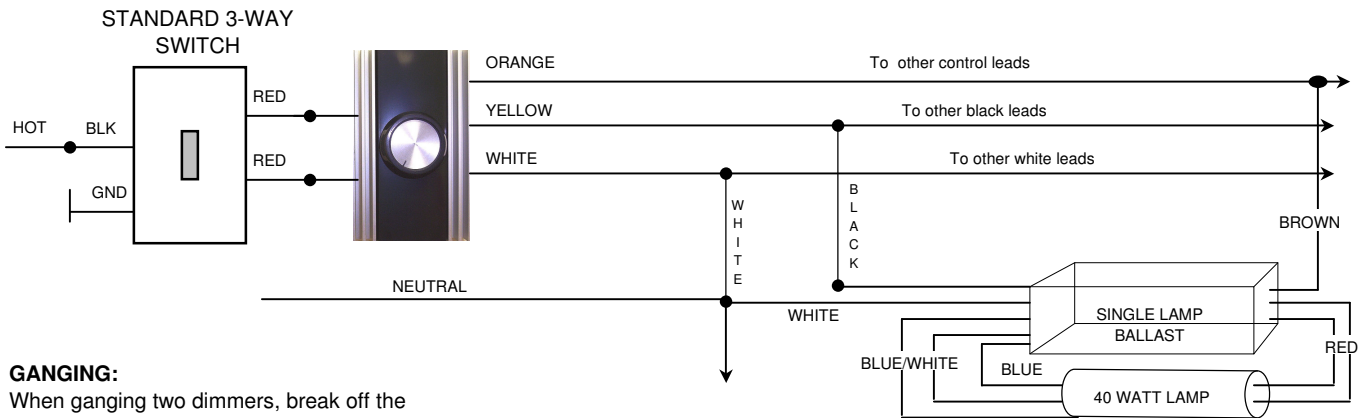
Hunt Control Systems, Inc.
200 Rome Court
Fort Collins, CO 80524
Ph: (970) 484-9048
www.hunt Dimming.com

**Wiring Diagrams and Ganging Information
for HUNT *Simplicity*[®]
Architectural Electromagnetic Fluorescent Controls
Single Pole and Three Way
120V, 60Hz**

**Standard Installation
Single Pole Wiring Diagram**



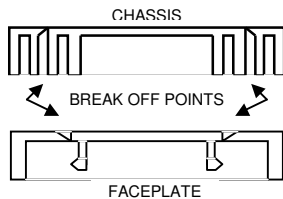
Three Way Wiring Diagram



GANGING:

When ganging two dimmers, break off the inside fins; when ganging three or more, break off the inside fins of the outer units, and both sides of the inner unit(s). Break off as shown.

Derating of 10% per side is necessary when fins are removed.



Wallbox Requirements For Ganging

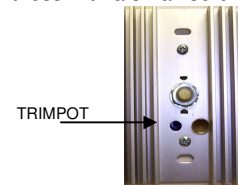
Number of single gang units	Number of double gang units				
	0	1	2	3	4
0	—	1	3	5	7
1	1	3	5	7	9
2	2	4	6	8	10
3	3	5	7	9	11
4	4	6	8	10	12

Minimum size wall box required (in gangs)

LOW END BRIGHTNESS ADJUSTMENT

THE LOW END BRIGHTNESS IS FACTORY ADJUSTED. IF NOT SATISFACTORY, IT MAY BE TRIMMED AS FOLLOWS:

Rotate dimmer control knob to full counter-clockwise (with unit turned on). Adjust trim to desired brightness with a small screwdriver.



Hunt Control Systems, Inc.
200 Rome Court
Fort Collins, CO 80524
Ph: (970) 484-9048
www.hunt Dimming.com

**Installation and Wiring Instructions
 for HUNT *Simplicity*[®]
 Architectural Electromagnetic Fluorescent Controls
 Single Pole and Three Way
 277V, 60Hz**

These dimmers are designed for electro-magnetic fluorescent, permanently installed fixtures using an approved ballast (see below) and rapid start 40 watt lamps.

Models:

- A-Line Series:** AF-527, AF-527-3W, AF-1027, AF-1027-3W, AF-1527
Accent Series: ASF-527, ASF-527-3W, ASF-1027, ASF-1027-3W, ASF-1527
Omega Series: SCF-527, SCF-1027, SCF-1527

- Load:** (A minimum load of two (2) lamps is required)
- | | |
|---|----------|
| AF-527, AF-527-3W, ASF-527, ASF-527-3W, SCF-527: | 12 lamps |
| AF-1027, AF-1027-3W, ASF-1027, ASF-1027-3W, SCF-1027: | 20 lamps |
| AF-1527, ASF-1527, SCF-1527: | 30 lamps |

Caution:

To reduce the risk of overheating and possible damage to other equipment, do not install to control a receptacle, a motor-operated appliance, or a transformer-supplied appliance.

Avertissement:

Pour réduire le risque de surchauffes et les dommages possibles à l'autre équipement, ne pas installer pour contrôler une prise, un appareil moteur-fonctionné, ou un transformateur d'alimentation magnétique appareil fourni.

Read Carefully Before Installing Dimmers:

To avoid fire, personal injury, and/or damage to dimmer, turn power *OFF* at circuit breaker and test that power is *OFF* before wiring.

Notes:

- 1.) Fins must be mounted in vertical position and must not be recessed into the wall. When stacking dimmers or mounting one above the other, allow a minimum of three inches of clear wall space between the upper and lower finned plates.
- 2.) The aluminum chassis of this lighting control is designed as a heat sink to dissipate heat generated by the proper functioning of the circuit components. The fins may be very warm to the touch when the lighting control is operating at its maximum rated load. This is normal operation and does not indicate malfunction.
- 3.) Due to electro-magnetic radiation produced by all solid state lighting controls, the load, dimmer, and connecting wires should be located as far away as possible from radios, intercom units or public address systems. Six feet is the recommended minimum distance.
- 4.) Burn-in lamps at fullbright for a minimum 100 hours before attempting to dim and adjust trim.
- 5.) Dimmers may be ganged in any combination. See reverse for derating and wallbox size.

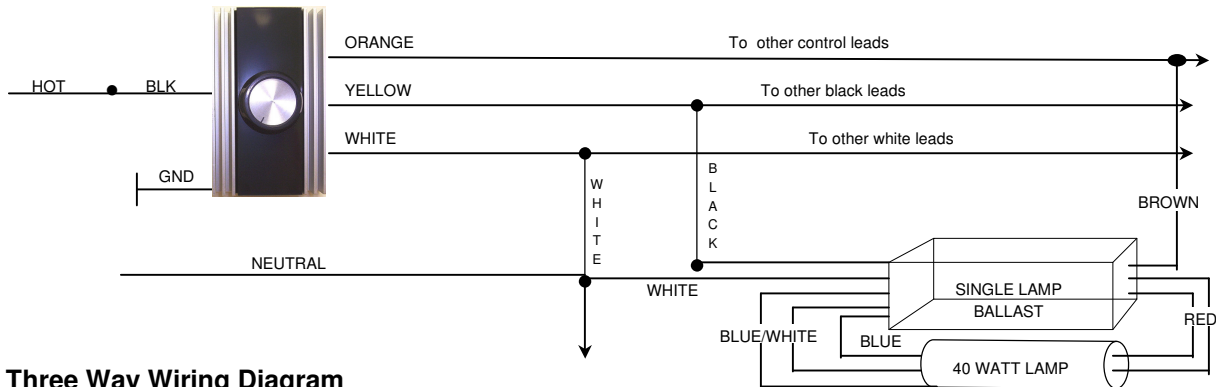
Wiring Diagrams: See reverse side.

Compatible Ballasts:
277V
Universal 679-L-TC-P
Universal 678-A-TC-P (2 lamp)

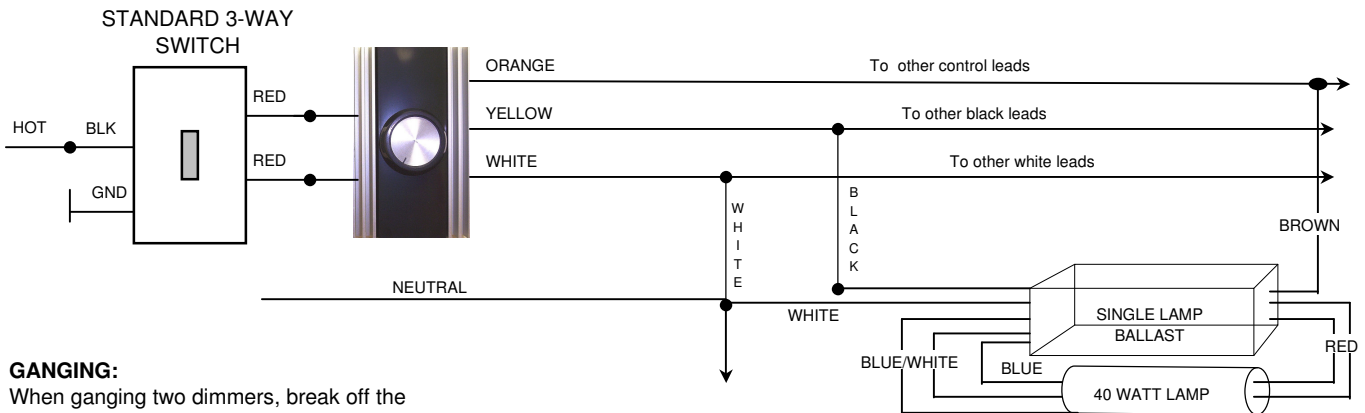
Hunt Control Systems, Inc.
 200 Rome Court
 Fort Collins, CO 80524
 Ph: (970) 484-9048
www.hunt dimming.com

**Wiring Diagrams and Ganging Information
for HUNT *Simplicity*[®]
Architectural Electromagnetic Fluorescent Controls
Single Pole and Three Way
277V, 60Hz**

**Standard Installation
Single Pole Wiring Diagram**



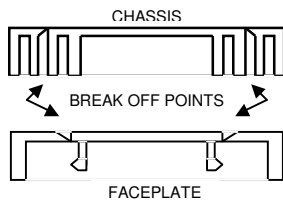
Three Way Wiring Diagram



GANGING:

When ganging two dimmers, break off the inside fins; when ganging three or more, break off the inside fins of the outer units, and both sides of the inner unit(s). Break off as shown.

Derating of 10% per side is necessary when fins are removed.



Wallbox Requirements For Ganging

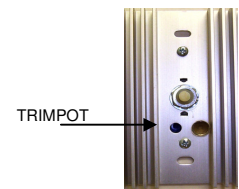
Number of single gang units	Number of double gang units				
	0	1	2	3	4
0	—	1	3	5	7
1	1	3	5	7	9
2	2	4	6	8	10
3	3	5	7	9	11
4	4	6	8	10	12

Minimum size wall box required (in gangs)

LOW END BRIGHTNESS ADJUSTMENT

THE LOW END BRIGHTNESS IS FACTORY ADJUSTED. IF NOT SATISFACTORY, IT MAY BE TRIMMED AS FOLLOWS:

Rotate dimmer control knob to full counter-clockwise (with unit turned on). Adjust trim to desired brightness with a small screwdriver.



Hunt Control Systems, Inc.

200 Rome Court
Fort Collins, CO 80524
Ph: (970) 484-9048
www.hunt Dimming.com