

#### Product Description

The IP00C790 is the industries first, exclusive LSI for 4K warping and edge blending. It can handle a native 4K image up to 4096 x 2160, 60fps. This chip is capable of single color processing of either: R, G or B. A full color 4K implementation requires three C790 chips. However, the 4K implementation based on the C790 is easier to design. This is because of the embedded frame memory and direct connection, through a proprietary interface, between the C790 and the C734 a front-end scaler. Also, the C790 features image quality control and correction such as per pixel edge-blending and uniformity correction etc., that is required to achieve higher image quality.

#### Features

##### Input (1-port)

10-bit R or G or B single color @100MHz x 2 proprietary LVDS

40-bit (10-bit x 4) R or G or B single color @150MHz LV-CMOS

##### Output (1-port)

10-bit R or G or B single color @100MHz x 2 proprietary LVDS

##### Image Size

Max image active area 4096 x 2160

##### External/Internal Sync

Output sync signal is compatible with internal/external signal

##### Interpolation Filter

Horizontal/vertical 6-symbol programmable FIR filter

##### Distortion Correction Method

- Coordinate correction look up table
- Load from external CPU or external serial flash memory

##### Distortion Correction Amount

- Up to 45 degrees (horizontal /vertical)
- Any angle rotation (up to 45° rotation + 90° rotation)
- Vertical shrink ratio is about x 0.3

##### Image Correction

- Edge-blending (per pixel correction available)
- Uniformity correction
- Mirror/flip image
- 90° rotation



##### Image Quality Control

- 16-bit color gamma correction tables (7LUT available)
- Error diffusion

##### CPU Interface

8-bit parallel/4-wire serial

##### External Memory

DDR2-SDRAM 1Gbit embedded. No external memory

##### Serial Flash Interface

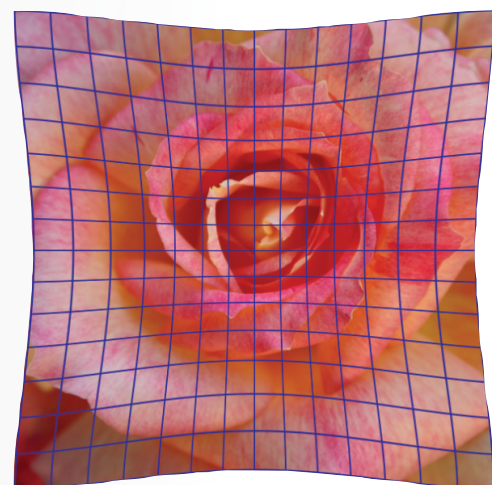
2G-bit x 1(max)

##### Power Supply

3.3V/1.8V/1.2V

##### Package

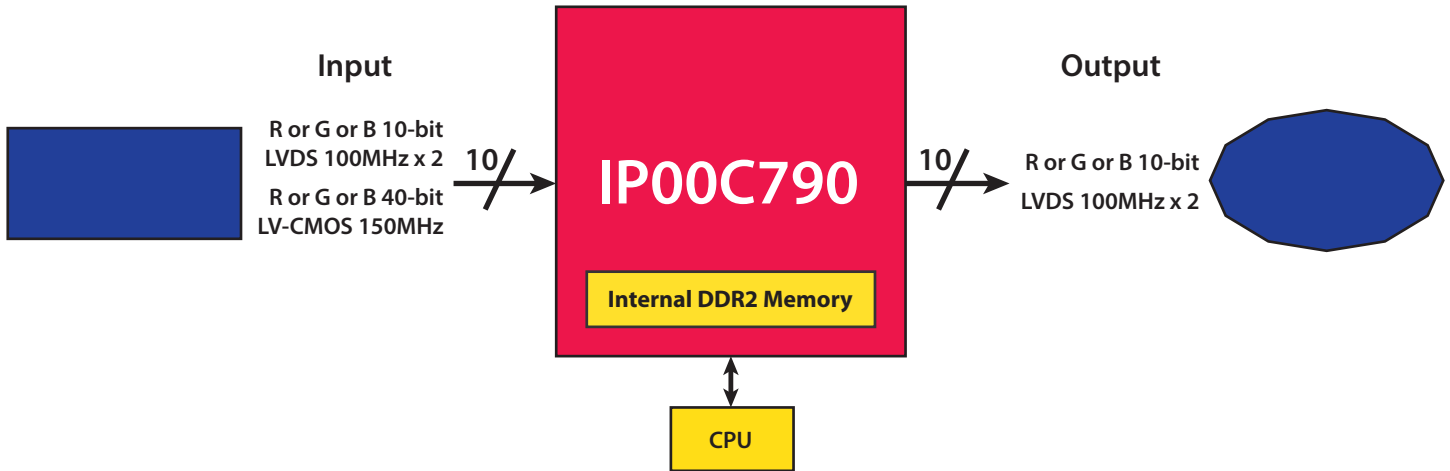
496-pin BGA (1.0mm pitch), 27mm x 27mm



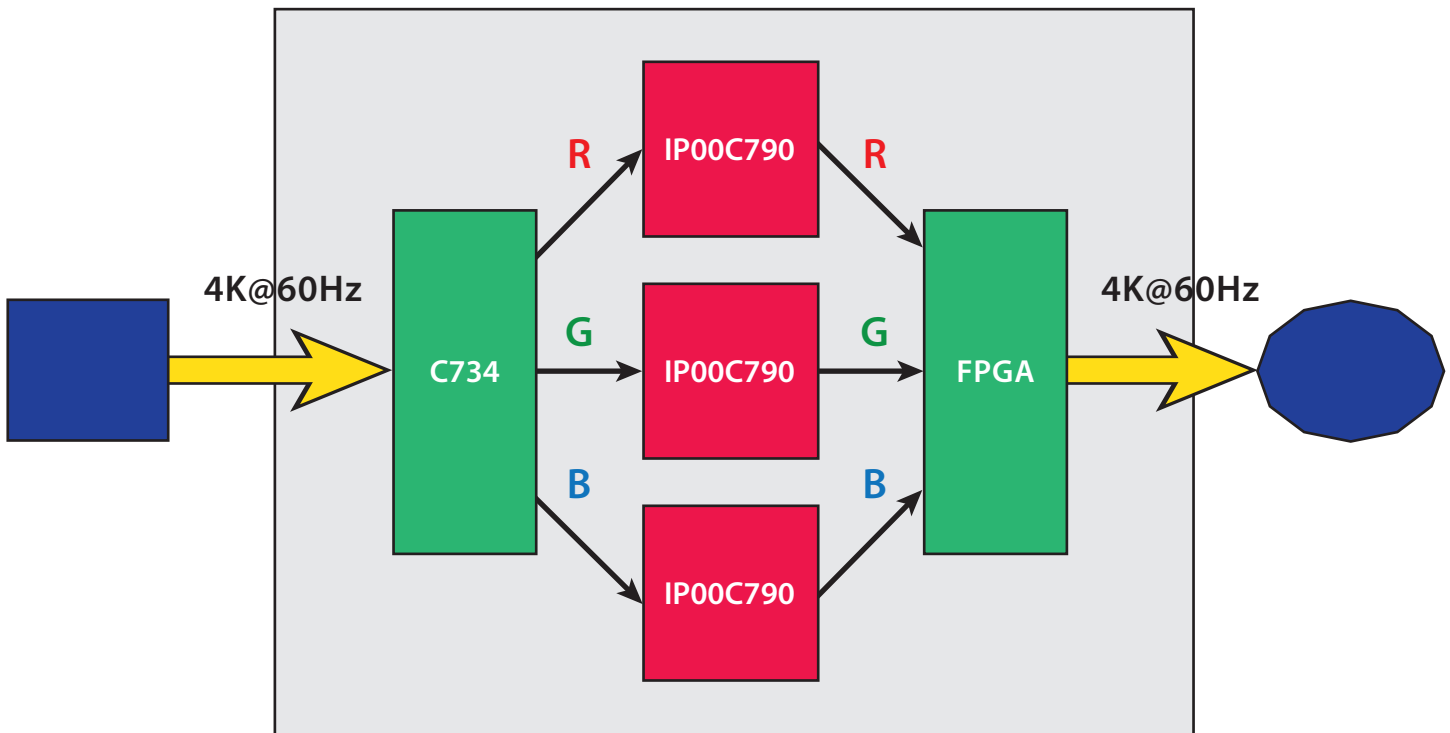
Warping Example

# IP00C790 2K Warping/Edge-blending LSI with Built-in Memory

## IP00C790 Block Diagram



## IP00C790 4K System Configuration



For more information please visit: [www.i-chips.com](http://www.i-chips.com) or [info@i-chips.com](mailto:info@i-chips.com)

## i-Chips Technology, Inc.

i-Chips USA • 780 Montague Expy, Suite 308 • San Jose, CA 95131 • Tel: 408 577-1432 • Fax: 408 577-1560  
i-Chips Technology, Inc. • 1-2-6, Shioe Amagasaki Hyogo, 661-0976 Japan • Tel: 81-6-6492-7277 • Fax: 81-6-6492-7388