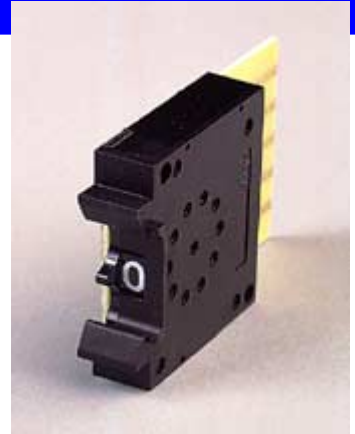




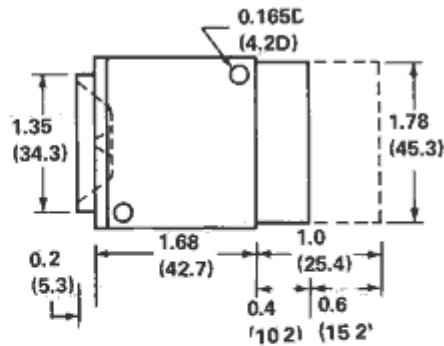
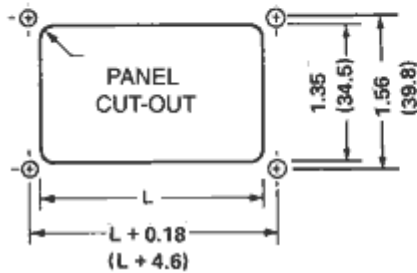
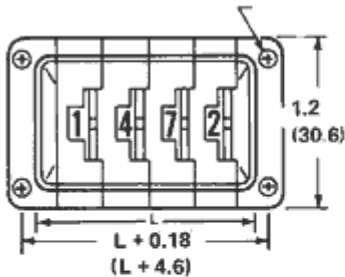
Model IR Intermediate Rear Mount

Rugged, rear mount counterpart to our Model IF, with large legible digits, 1/2" wide modules. Available in most popular 10 position codes. Options and accessories include: Extended boards for diode suppression, Termination Pins, Half bodies, Endplates and [Connectors](#). Various color wheels and legends available.



Model IR

DIMENSIONS IN INCHES (IN MILLIMETERS)



PANEL CUT OUT FORMULA

- L = $W \times N + C$ = Width of cut out
- W = Width of module, i.e. switch, blank body or divider plate = 0.5
- W/2 = Half body width = 0.25
- N = No. of modules in bank
- C = Width of pair end plates + tolerance = 0.39

