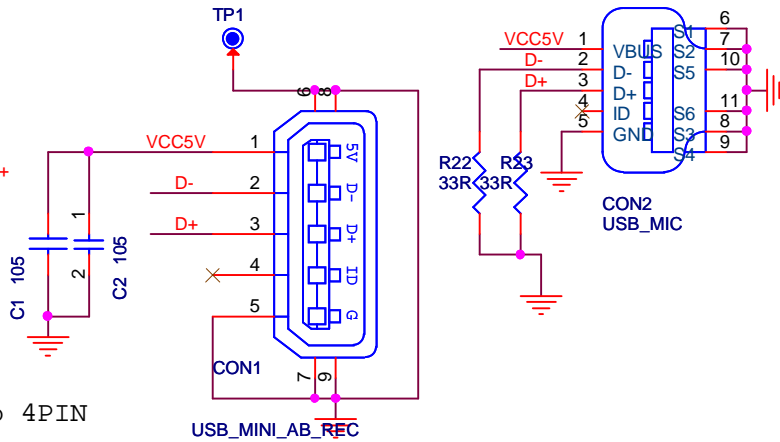
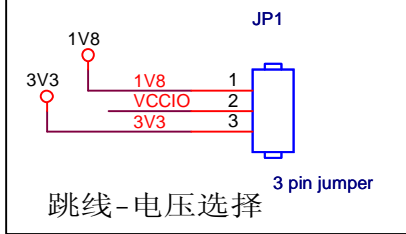


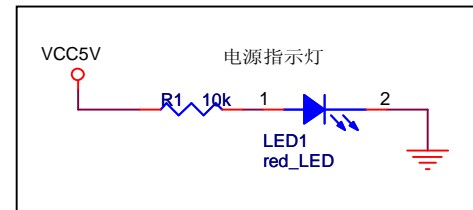
USB to 4PIN



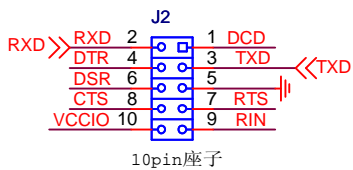
USB_MINI_AB_REC



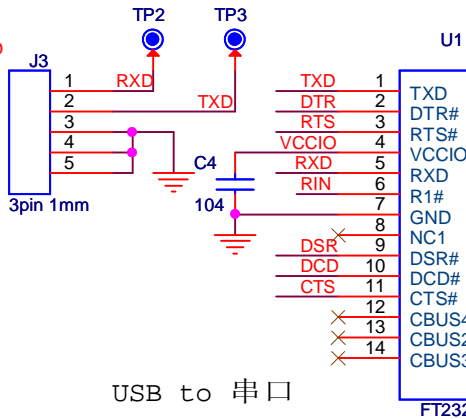
跳线-电压选择



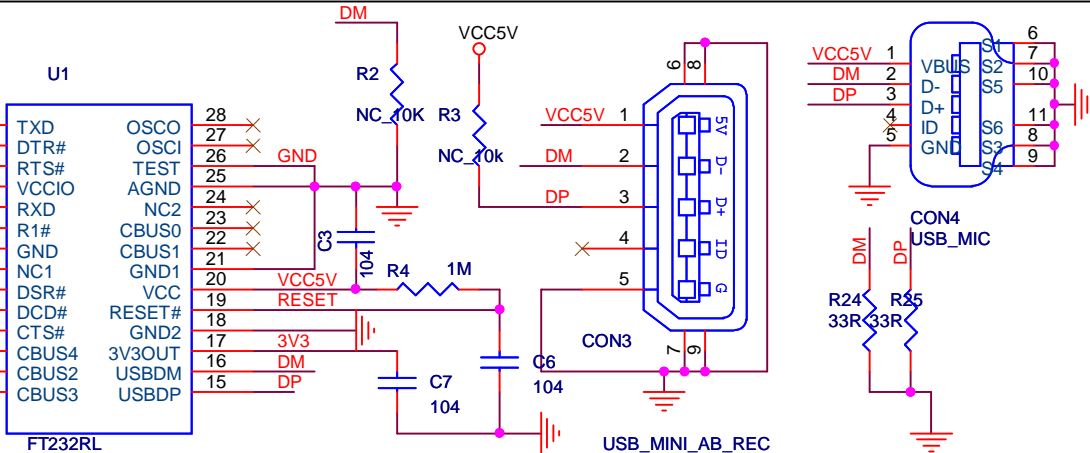
电源指示灯



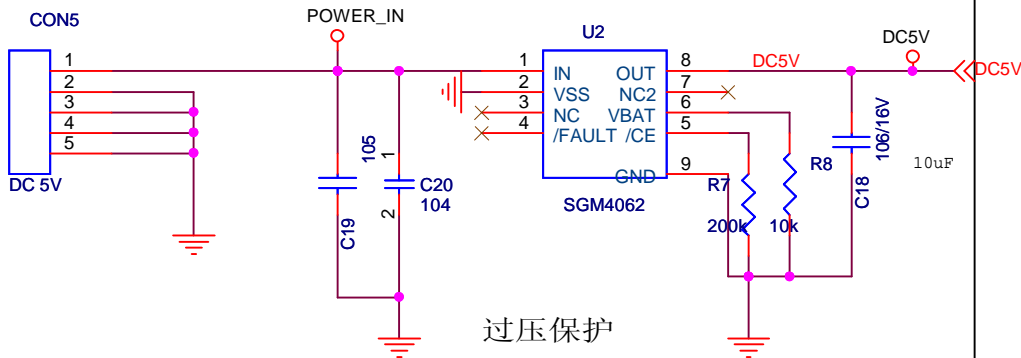
10pin座子



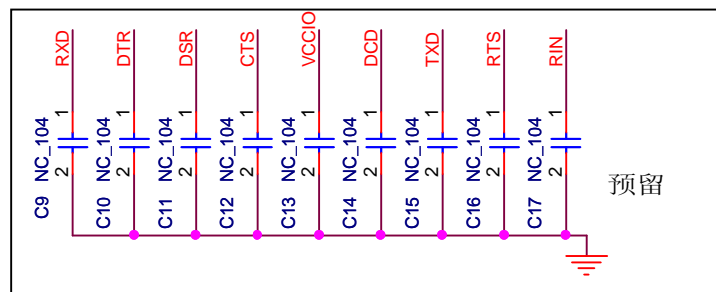
USB to 串口



USB_MINI_AB_REC

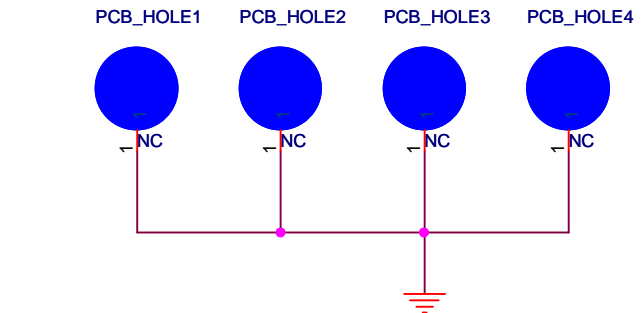
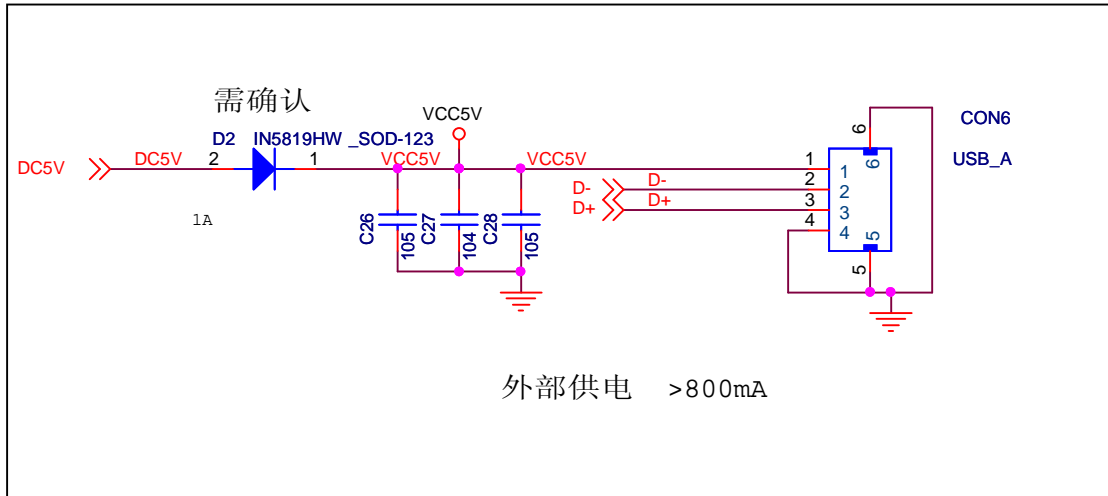
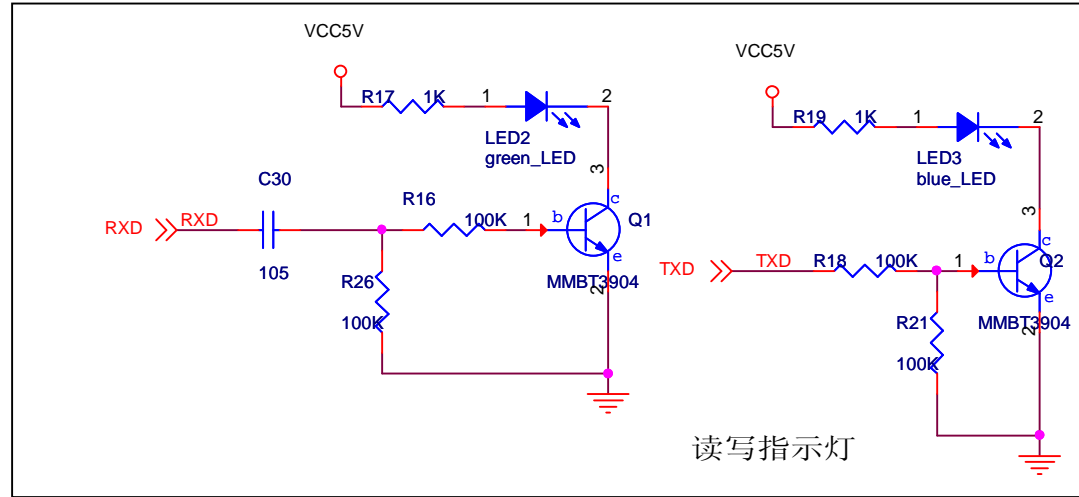
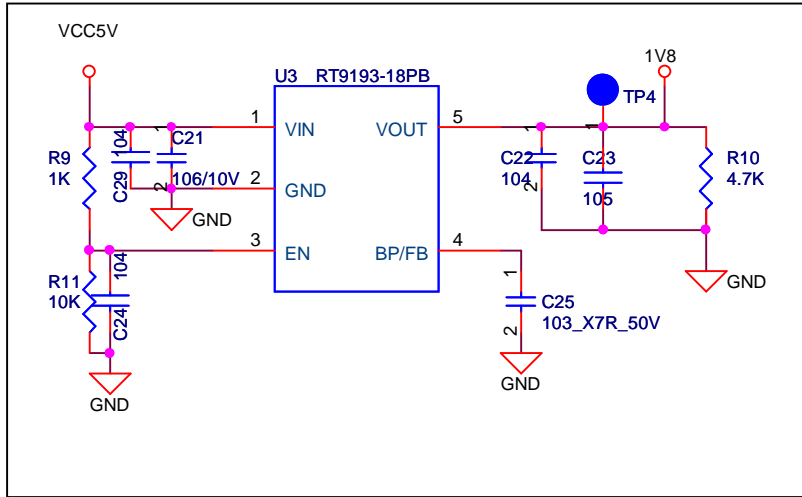


过压保护
VOVP=6.8V



预留

Title		
<Title>		
Size	Document Number	Rev
A	<Doc>	V1
Date:	Wednesday, May 07, 2014	Sheet 1 of 2



Title		
<Title>		
Size	Document Number	Rev
A	<Doc>	V1
Date:	Wednesday, May 07, 2014	Sheet 2 of 2