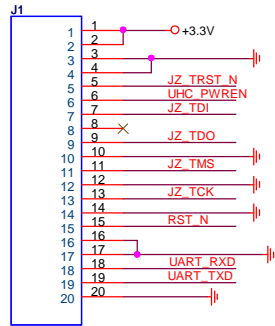
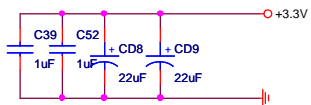


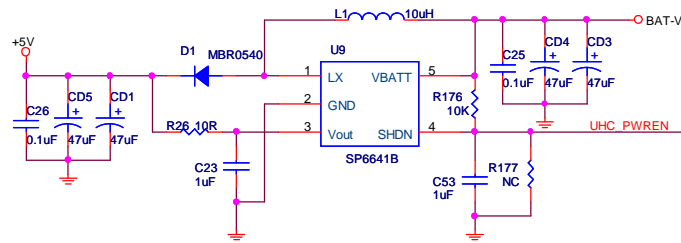
JDI & Uart & SPI & USB Con



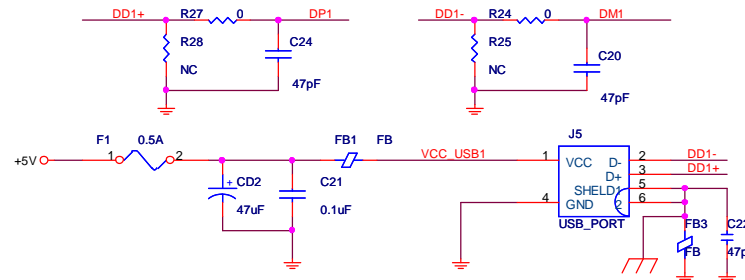
JDI & Uart & SPI & U



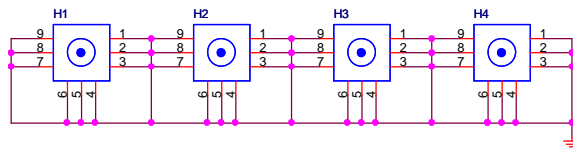
Charging Circuit



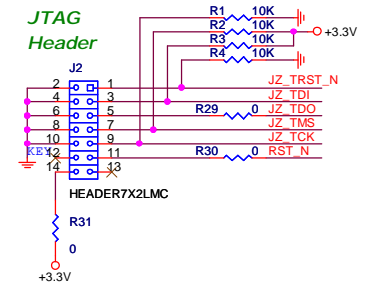
USB Connector



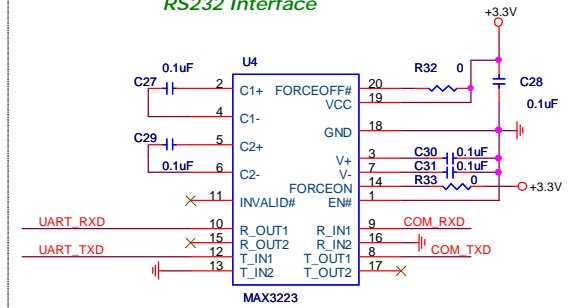
Mounting Holes



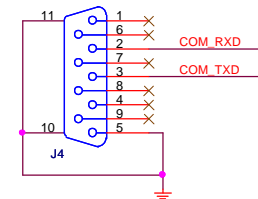
JTAG Header



RS232 Interface

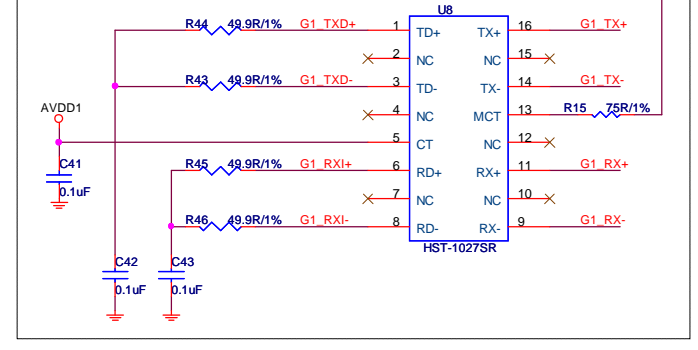
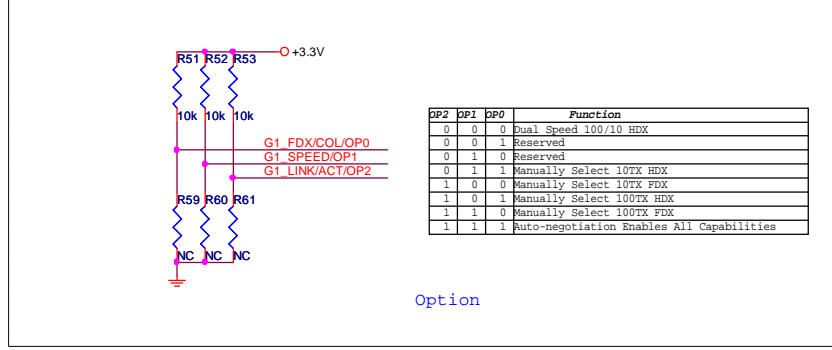
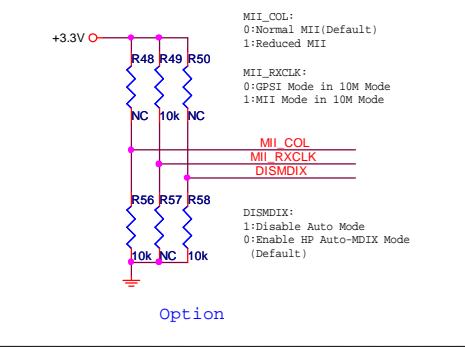
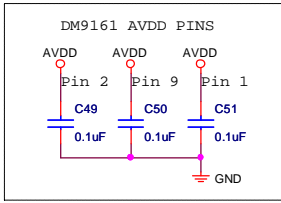
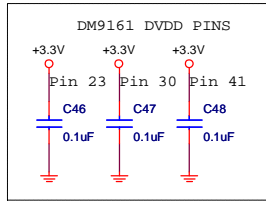
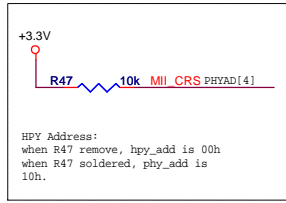
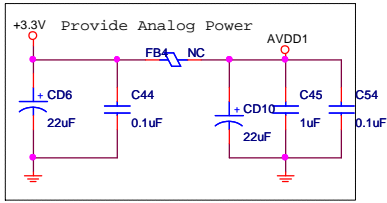
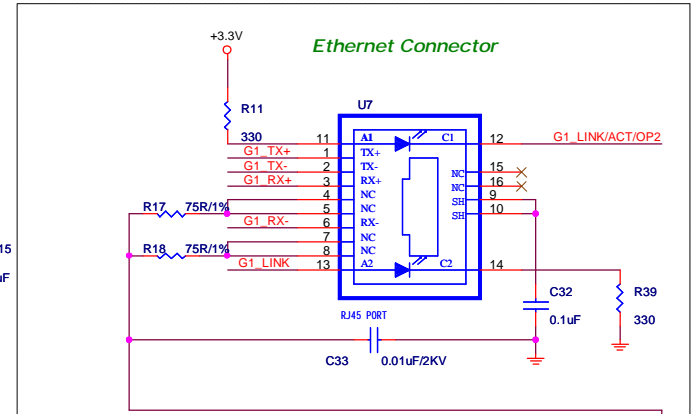
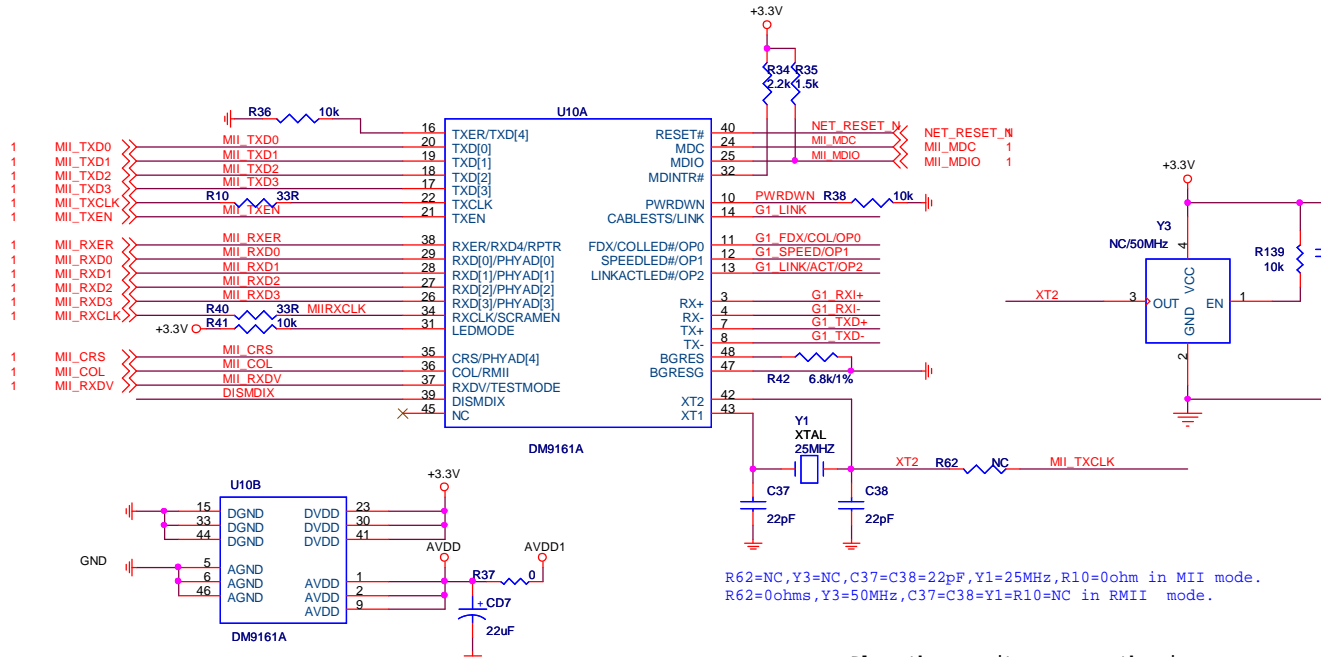


CONNECTOR DB9



INGENIC Semiconductor Corporation

Title		RD4775_Mensa_Debug
Size	Document Number	JTAG & UART & USB Host
B		Rev V1.0
Date:	Wednesday, September 04, 2013	Sheet 1 of 3



Data	Revision	Change
Aug.30 , 2013	Rev1.0	1. First released Revision