

TERMINATIONS TNC

UP TO 18 GHz
25 WATTS

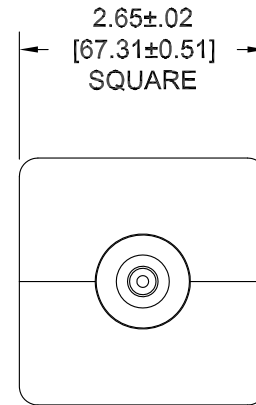


MODELS: TTXXM-25W, TTXXF-25W

SPECIFICATIONS:

Electrical:

Frequency Range _____ DC - 18 GHz
 Standard Freq. Values _____ 6, 12.4 & 18 GHz
 VSWR
 DC - 6 GHz _____ 1.20:1 Max.
 6 - 12.4 GHz _____ 1.30:1 Max.
 12.4 - 18 GHz _____ 1.40:1 Max.
 Impedance _____ 50 Ohms
 Input Power _____ 25 Watts Avg. @ +25°C
 Derated Linearly to 5 Watts @ +125°C
 Peak Power _____ 500 Watts Max.
 (5uSec Pulse, .05% Duty Cycle)
 Operating Temp Range _____ -65°C to +125°C



END VIEW
TYPICAL

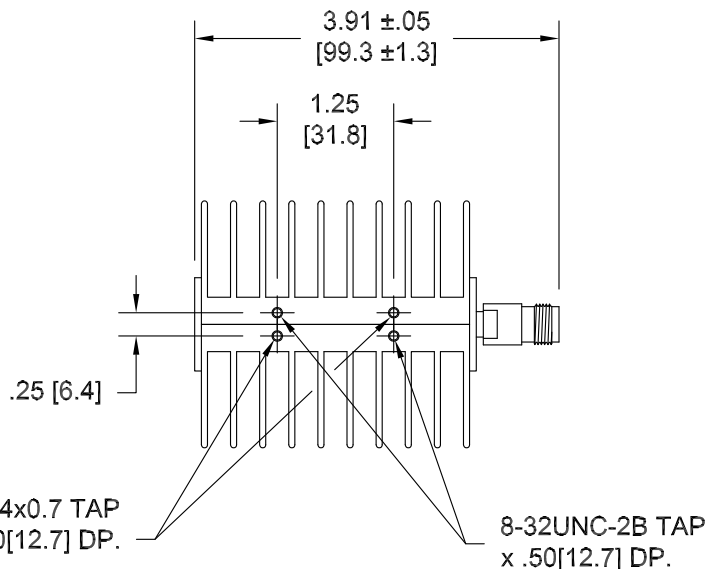
Mechanical:

TNC Connectors* _____ Passivated Stainless Steel
 Mates with MIL-STD-348
 Housing _____ Anodized Aluminum
 Conductors _____ Gold Plated Beryllium Copper

*TNC Connectors Mode-Free to 18 GHz

Model Number: **TTXXF-25W**
 TNC Female Connector
 Length: 3.91 ±.05 [99.3 ±1.3]
 As Pictured

Model Number: **TTXXM-25W**
 TNC Male Connector
 Length: 3.81 ±.05 [96.8 ±1.3]



Units must be Mounted in such a way as to Allow for Free Air Flow Around fins as to Assure Performance.

HOW TO ORDER:

Model Number: **TTXXXY-25W**
 Frequency Range | Connector Configuration
 060 = DC - 6 GHz | M = Male
 120 = DC - 12.4 GHz | F = Female
 180 = DC - 18 GHz

Ordering Examples:

Model Number: **TT120M-25W**
 DC - 12.4 GHz; TNC Male

Model Number: **TT060F-25W**
 DC - 6 GHz; TNC Female

Model Number: **TT180M-25W**
 DC - 18 GHz; TNC Male

Note: Dimensions in Brackets are Expressed in Millimeters and are for Reference Only.
 Design specifications are subject to change without notice.
 Contact factory for technical specifications before purchasing or use.