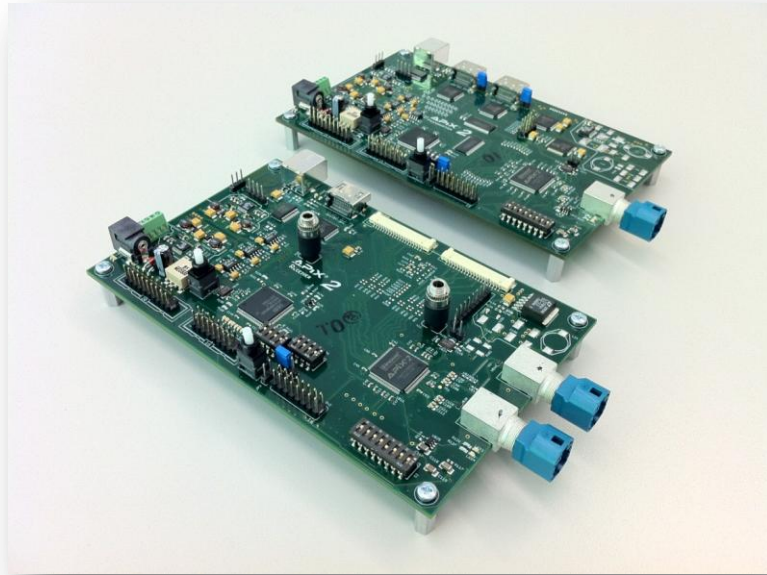


APIX2 Demonstration Kit



Applications

- Central information displays
- Instrumentation clusters
- Rear-seat entertainment
- Head-up Displays
- Lane departure warning
- Occupancy detection
- Sign recognition camera
- Blind spot detection
- Round view systems
- Rear view camera

HD 720p video resolution

Two independent video streams

Full duplex data communication

CRC protected data transfer (AShell)

Ethernet support

Daisy chaining support

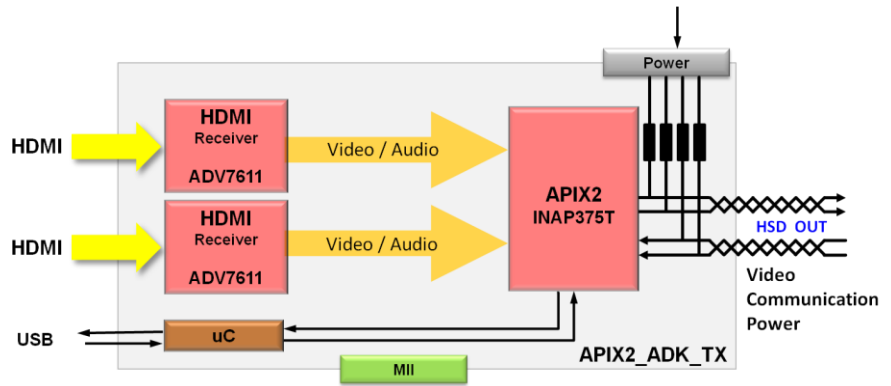
Power over APIX



Feature Set Transmitter Board:

- Video Resolutions: up to 720p and 1600x600 Automotive Display
- Video Interfaces: 2 x HDMI/DVI
- USB interface to PC
- APIX Transmitter Link with HSD Connector
- Single Power Supply +12V
- 160 mm x 100 mm

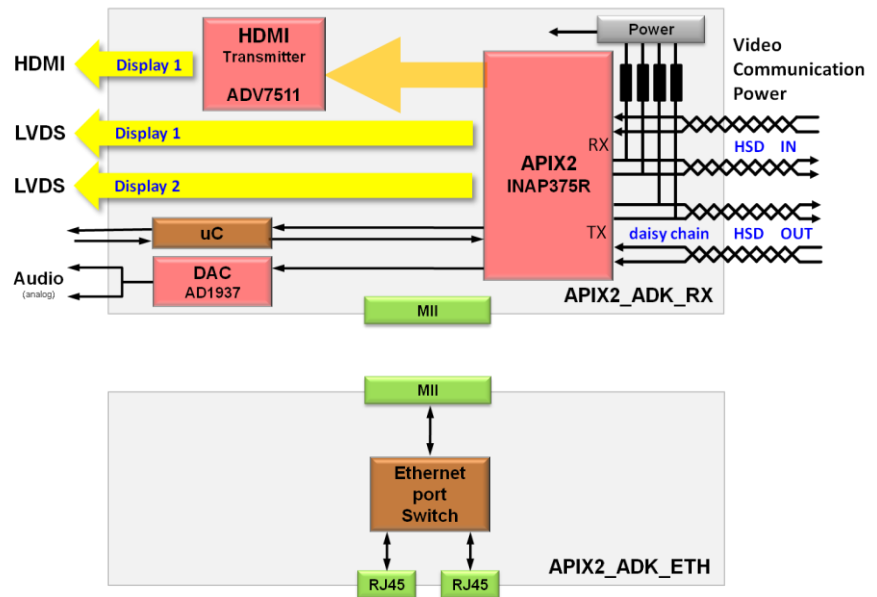
Part Number: **APIX2_ADK_TX**



Feature Set Receiver Board:

- Video Resolutions: up to 720p and 1600x600 Automotive Display
- Video Interfaces: 1 x HDMI or optional 2 x openLDI/LVDS
- USB Interface to PC
- APIX Receiver Link with HSD Connector
- Daisy Chain APIX Transmitter Link with HSD Connector
- Prepared for Power over APIX Link (PoA)
- 160 mm x 100 mm

Part Number: **APIX2_ADK_RX_HDMI**
APIX2_ADK_RX (LVDS Output)



optional:

Ethernet board:

- Extender with 100Mbit Port switch and 2 RJ45 Ethernet Connectors

Part Number: **APIX2_ADK_ETH**

Extender board:

- Extender with Pin Headers for full Access to INAP375T or INAP375R devices

Part Number: **APIX2_ADK_RX_EXT**
APIX2_ADK_TX_EXT

Set content:

- Transmitter or Receiver Board
- Power supply (wall plug)
- 5m STP cable with HSD connector
- 2m USB cable
- Schematics & Layout
- APICO Software
- Documentation

Inova Semiconductors GmbH

Grainger Str. 26
D-81671 München / Germany
Tel. +49 / 89 / 45 74 75 - 60
www.inova-semiconductors.de
info@inova-semiconductors.de