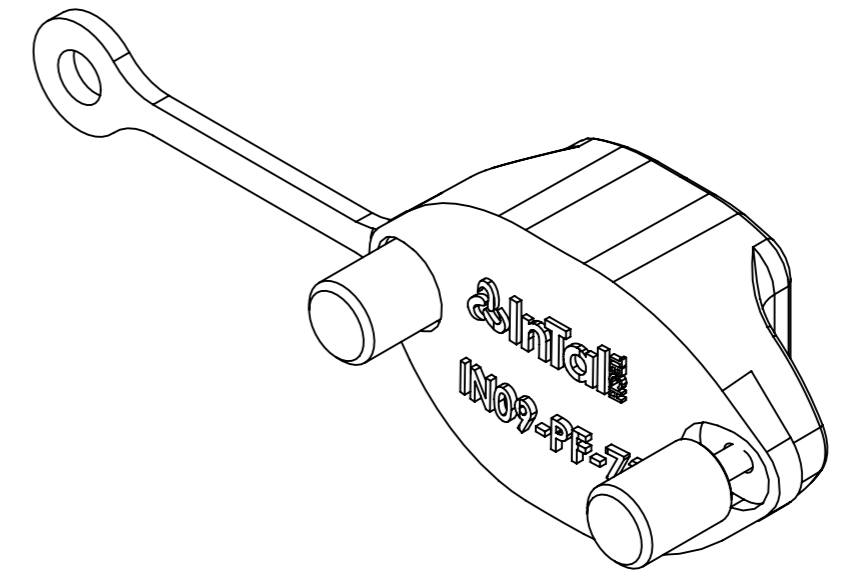
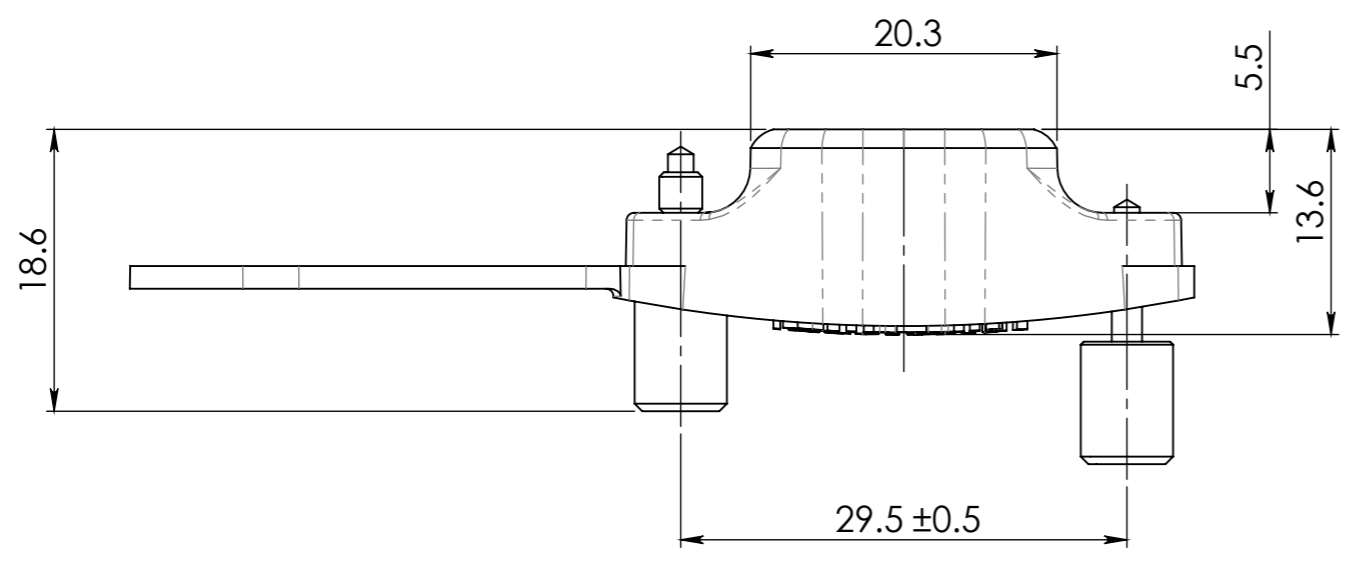
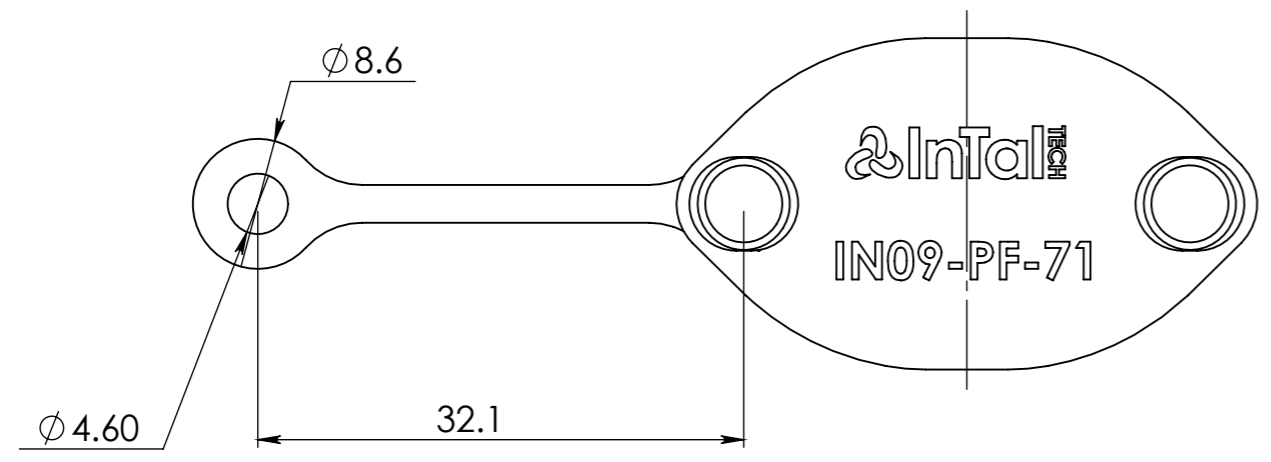

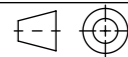


P:\Projects\Projects in R&D Status\InTal Tech\IN09 Backshell for Micro D-Type\0 IN09\IN09-DS-24-A 11/7/2010

1	2	3	4	5	6	7	8
ZONE	REV.	DESCRIPTION		DATE	APPROVED		
	A	RELEASED		4/11/2010	IGOR		



- NOTES:
1. RJ45 PLUG - BLACK SILICONE , TSE-221-80.
 2. FASTENING - #4-40 UNC CAPTIVE SCREW , ST.ST.

TOLERANCES UNLESS OTHERWISE STATED			MATERIAL:	FINISH:			
LINEAR ±	HOLES DIA +						
ANGULAR ±	MASH. SURF'S						
NAME	SIGNATURE	DATE	TITLE				
DRAWN ELENA			RJ45 PLUG KIT DATA SHEET				
DESN'D GREGORY							
CHK'D							
APPV'D							
THIS DOCUMENT CONTAINS PROPRIETARY INFORMATION AND SHALL NOT BE PUBLISHED OR USED FOR ANY PURPOSE WITHOUT THE PRIOR WRITTEN PERMISSION OF INTALTECH Ltd. DO NOT MANUALLY UPDATE. DO NOT SCALE DRAWING.			PART. NO. IN09-KT-24		VERSION		
			 Engineering Development & Consulting		DWG NO. IN09-DS-24-A	REV. A	SHEET 1/1
			SIZE A3	FIRST ANGLE PROJECTION		DIM UNIT MM	SCALE 2:1
CONTACT INFO: Tel: +972(0)8-9400002; Fax:972(0)3-7256610 Mobile: +972(0)50-6511606 ; E-mail: office@intaltech.com							