

Flush Mount Fuse Block

Date datasheet created:
16/05/2013

Intellitec's Flush Mount Fuse Bloc 00-00884-000, part number is the ideal answer to the problem of installing a fused distribution panel in a vehicle where a "finished" look is demanded. The Block provides spaces for up to twelve automotive type, ATO fuses. The flush mount fuse block described in this product bulletin provides a single power input. The fuses are divided into two groups of six fuses as shown in the photo displayed to the right. The unit comes with a snap-on cover that, when in place, hides the fuses, fuse puller, and mounting screws.

Installation

Mounting consists of cutting a rectangular hole in the mounting surface (see the back of the sheet for actual dimensions) and screwing the block into the wall. All the connections are made at the rear of the block to conceal the wires. A minimum clearance distance of 3 inches behind the pane is recommended for proper installation. The flush mount fuse panel is designed to be mounted in the interior of the vehicle, not exposed to weather.

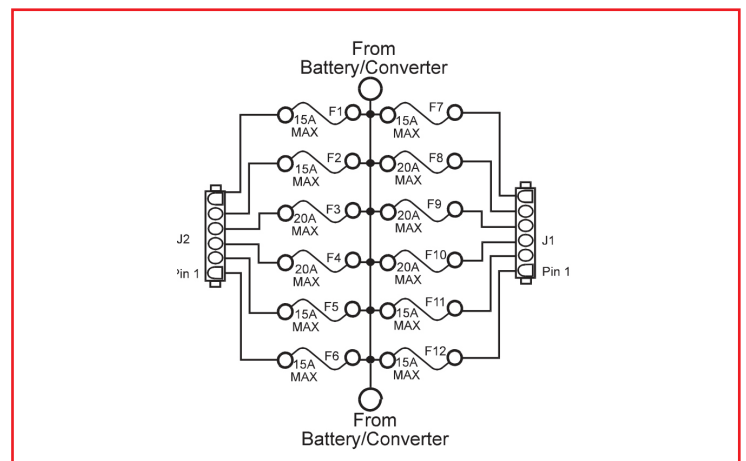
Connections

The power from the source is fed into the block via two collar-clamp connectors on the board. The connections to the loads are made through two, 6 pin Mate-N-Lok connectors to make installation easy and fool-proof.

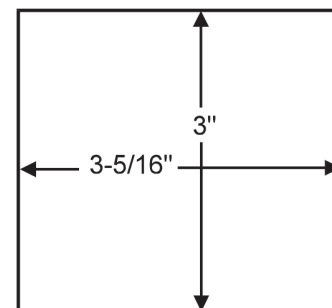
Intellitec's Flush Mount Fuse Block is intended to provide fused 12 or 24 volt power to a group of accessories in a vehicle. Power is fed into the Block from either a single or dual input connection (depending on the model) and is distributed to each of the twelve fuses. Load connections are made through AMP Mate-N-Lok connectors.

Specifications:

Model	Single Input
Part Number	00-00884-000
Maximum Continuous Carry Current	100 Amps total Max. 15 Amps per Circuit Max.
Maximum Ambient Temperature	185 Degrees F.
Minimum Ambient Temperature	-40 Degrees F.
Power Feed connection	Connector Collar with Screw (x2), Max 4AWG size
Mating Output Connector (6 pin)	AMP 640585-1



Panel Cut Out, Min. depth 3" clearance



(Fuses not included)

For further information on this product,
please contact Intellitec.