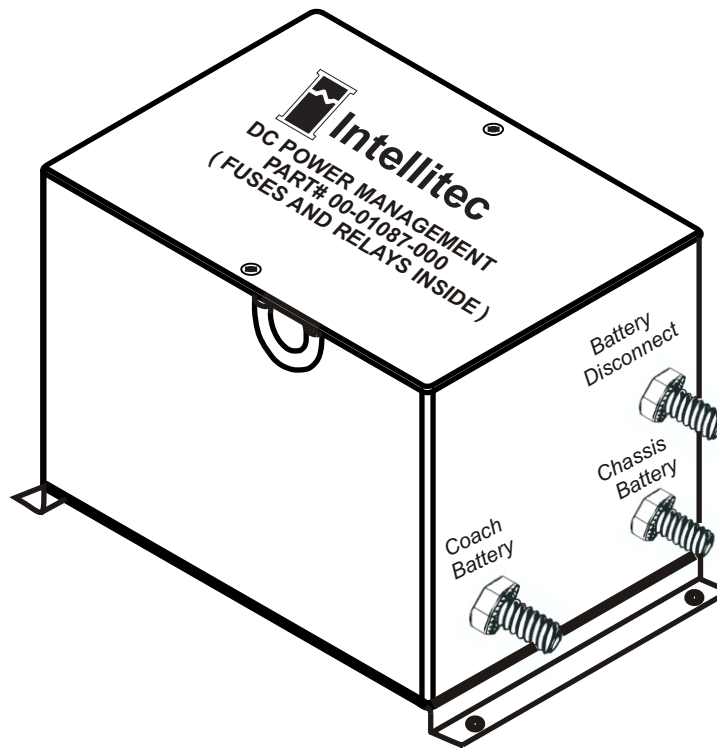


SINGLE DISCONNECT BATTERY CONTROL CENTER

SERVICE MANUAL



Part No.'s 00-01087-000

Product Description

The Battery Control Center is a centralized power switching, fusing, and distribution center. Power from the main and the auxiliary batteries is fed into the Battery Control Center. The full power of both batteries is available at the box. The system consists of a Battery Disconnect Relay, a bi-directional battery charging circuit, an auxiliary start function (to provide a "jump start" from the auxiliary battery), and ignition power switching.

CAUTION:

All servicing of the Battery Control Center should be done only by a qualified Service Technician. Inadvertent shorts in and around the Battery Control Center could result in severe damage and/or injury.

TOOLS REQUIRED: Low current Test Light, Accurate Voltmeter, (digital read-out preferred).



1485 Jacobs Road
DeLand, Florida 32724
386.738.7307 / 1.800.251.2408

SINGLE DISCONNECT BATTERY CONTROL CENTER

SERVICE MANUAL

How The Battery Control Center Works

Battery Disconnect

The Battery Disconnect relay is used to disconnect the auxiliary battery during periods of storage or during service. The disconnect relay operates by momentarily applying 12 volts to the solenoid coil in either of two directions: (+12 volts on the "S" terminal and ground on the "I" terminal for opening) and (+12 volts on the "I" terminal and ground on the "S" terminal for engaging). The actuation voltage is supplied from the auxiliary battery through the fuse on the disconnect relay. The voltage is supplied to the momentary switch mounted in the coach and then fed back to the relay on the box. (See Battery Disconnect schematic, *Figure 2*).

Charging Circuit

The charging circuit, (which utilizes an isolator solenoid to connect the two batteries together for charging) will charge both batteries if either battery is being charged. It operates by sensing the voltage on the Main and Auxiliary batteries. If either voltage goes above 13.3 volts (the minimum necessary to fully charge a battery) for more than 14 seconds, the isolator solenoid will pull in, charging both batteries. If, while the ignition is on, the voltage falls below 12 volts for more than 4 seconds, the isolator relay will open, keeping all of the alternator's output available for the chassis functions. If the ignition is off and the auxiliary battery voltage should drop below 12.8 volts (voltage of a fully charged battery) for 4 seconds, the isolator relay will open, preventing the coach loads from discharging the main battery. (See Charging Circuit/Aux Start schematic, *Figure 3*).

Auxiliary Start

The Auxiliary Start function is used to provide a "jump start" from the auxiliary battery in the event that the main battery does not have sufficient charge to start the engine. It operates by momentarily connecting the main and the auxiliary batteries together through the isolator relay. This function is accomplished by pressing the dash mounted switch, which applies 12 volts to the isolator relay coil. (See Charging Circuit/Aux Start schematic, *Figure 3*).

Ignition Switched Power

The ignition circuits are switched by an on-board relay to supply power to the ignition switched circuits. The power for this relay coil comes from the ignition switch through J2, pin 2. (See Charging Circuit/Aux Start schematic, *Figure 3*).

Circuit Breakers

There are two 30 Amp circuit breakers located near the box, that are used to protect the wiring between the Auxiliary battery and the converter. These breakers have manual reset buttons that pop out when they are tripped. Contact our sales department if the breakers are not present. (See *Figure 4*)



1485 Jacobs Road
DeLand, Florida 32724
386.738.7307 / 1.800.251.2408

SINGLE DISCONNECT BATTERY CONTROL CENTER

SERVICE MANUAL

Trouble Shooting

The Battery Control Center is built in two "layers", the printed circuit board and the relays. The unit has been designed so that nearly ALL trouble shooting can be done without the removal of the printed circuit board. **Read and understand the trouble shooting procedure first before EVER removing the printed circuit board.**

Checking Fuses

The fuses protecting the main and auxiliary battery power are located on the printed circuit board and are easily visible for testing and replacement. The fuses for the battery disconnect are located on the relay. The fuses can be checked either visually or with a test light. To check the fuses visually: Remove the suspected fuse and examine it for damage to the fusing element. To check using a test light: Ground the test light to a convenient ground. Check for power on both sides of the fuse. If applicable, make sure Battery Disconnect Relay is on when checking fuses.

Checking the Battery Disconnect

The Battery Disconnect relay coil terminals are available on the front of the relay.

To engage a relay, momentarily apply +12 volts to the "I" terminal, and the "S" terminal is grounded. The relay should "click" and latch in. To open the relay, momentarily apply +12 volts to the "S" terminal and the "I" terminal is grounded. The relay should "click" and then open.

Isolator Relay

An isolator relay is provided on the unit to connect the main and auxiliary batteries together for charging. It also is used to connect the two batteries together for auxiliary start. This allows the auxiliary battery to be used to "jump start" the main battery if it doesn't have enough charge to start the engine.

Circuit Breakers (Contact our sales department if the breakers are not present)

The converter circuit breakers, which are in parallel, carry the current between the Auxiliary battery and the converter. If the coach is not being supplied 120 volts AC, the current is flowing from the battery to the converter. If the coach is being supplied 120 volts AC, the converter is usually charging the batteries and the current will flow from the converter to the batteries. If there is a fault or overload between the converter and the batteries, the circuit breakers will open as indicated by the reset buttons being popped out. To reset the breakers, turn off the 12 loads and push the buttons in until they latch.



1485 Jacobs Road
DeLand, Florida 32724
386.738.7307 / 1.800.251.2408

SINGLE DISCONNECT BATTERY CONTROL CENTER

SERVICE MANUAL

Printed Circuit Board Removal

In the event that the printed circuit board needs to be removed, the following procedure should be followed.

- 1) Remove the negative wires from both batteries to prevent injury to individuals and the equipment. Be sure that these wires stay clear of the battery posts. Remove power to the converter.
- 2) Remove the cover, and pull chassis harness plugs from connectors, J4 and J2.
- 3) Disconnect the battery cables from the coach battery, chassis battery and battery disconnect studs, being careful to be sure the studs do not rotate.
- 4) Disconnect the ground wire from J6.
- 5) Disconnect the wires from the board at J5 and J3.
- 6) Remove the PCB mounting screws, and the coach battery nut (J1) attached to the printed circuit board. The unit should be free..
- 7) Remove the board.

Printed Circuit Board Replacement

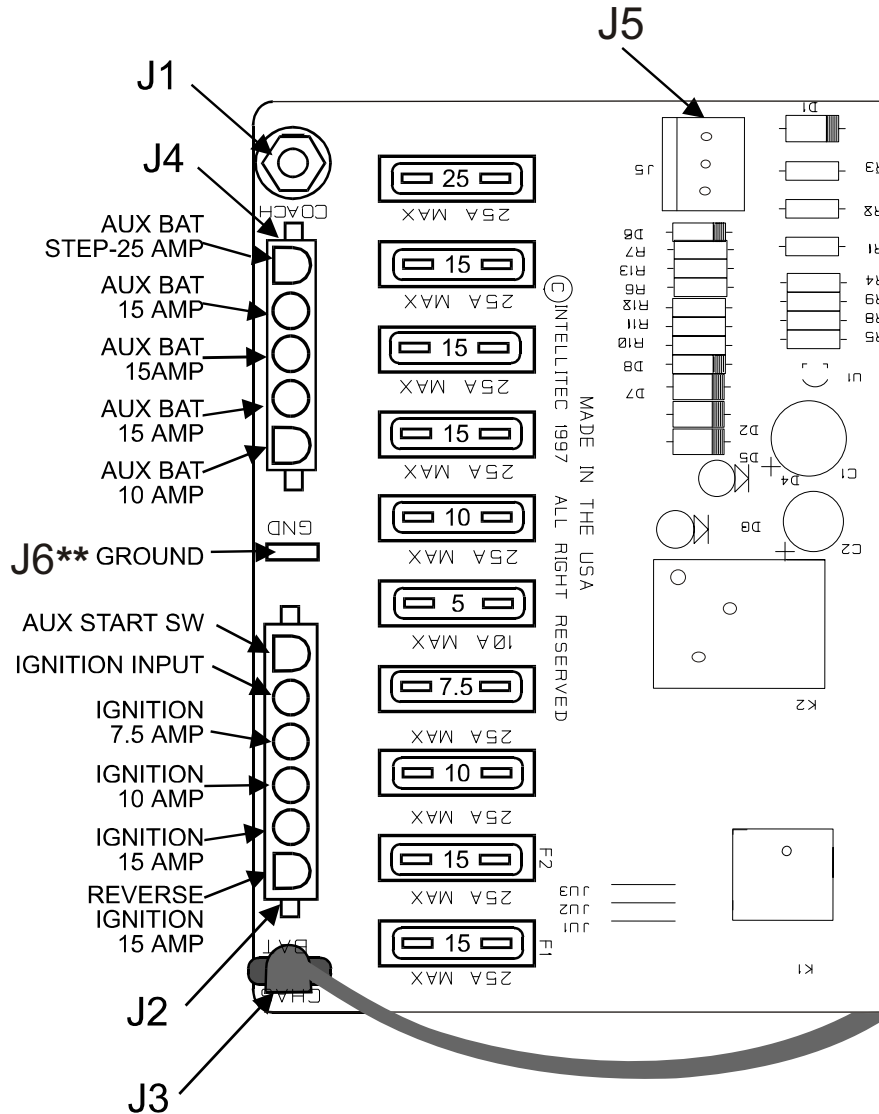
Replace the board in the reverse order from the removal.



1485 Jacobs Road
DeLand, Florida 32724
386.738.7307 / 1.800.251.2408

SINGLE DISCONNECT BATTERY CONTROL CENTER

SERVICE MANUAL



**** CAUTION: To prevent burning of ground foil trace on PCB Assembly**

Remove spade terminal that is connected to Ground, before disconnection or installing battery cables.

Top of board as seen with cover removed.

Figure 1



1485 Jacobs Road
DeLand, Florida 32724
386.738.7307 / 1.800.251.2408

SINGLE DISCONNECT BATTERY CONTROL CENTER

SERVICE MANUAL

Troubleshooting

Battery Disconnect

A. The relay fails to operate.

1. Batteries may be dead. Check for voltage at the "battery" terminal of the relay. The voltage should be at least 11 volts. If the voltage is less, charge either battery. If the voltage is more than 11 volts, continue.
2. The fuse on the relay may be blown. Check the fuse. Replace fuse if the necessary.
3. Wiring or switch may be faulty. To check the operation, have an assistant operate the Battery Disconnect switch inside the coach. Check for voltage on the "I" terminal and ground on the "S" terminals at the test points on the printed circuit board.
4. Disconnect Relay may be faulty. If at least 11 volts is available on the "I" or "S" terminal and the relay fails to operate, replace the relay.

B. Coach functions operate when coach is plugged in, but not from the battery.

1. Circuit breakers feeding converter may be open. Reset circuit breakers at box.

Charging Circuit

A. Auxiliary battery does not charge.

1. The isolator relay may not be closing. Operate the engine at a high idle for at least twenty (20) seconds and check the chassis battery voltage. The voltage must be at least 13.3 volts before the isolator activates. Check the alternator if the voltage is less than 13.3 volts.

Check for voltage on the coil terminal of the isolator relay. If there is **no** voltage on the coil, check fuse F5 and replace if necessary. If F5 is good, replace the printed circuit board. If there is voltage on the coil, check for voltage between the main and auxiliary batteries.

If the voltage is more than 0.1 volts replace the relay.

B. Main battery continues to drain.

1. Isolator relay may be bad. Check for voltage on the solenoid coil lead which is available on J1-5, when the engine is off. If there is no voltage, replace the relay.



1485 Jacobs Road
DeLand, Florida 32724
386.738.7307 / 1.800.251.2408

SINGLE DISCONNECT BATTERY CONTROL CENTER

SERVICE MANUAL

Troubleshooting

C. Main battery doesn't charge from converter.

1. The converter is not putting out at least 13.3 volts. Check converter, turn off excess 12 volt loads, if necessary.
2. Converter circuit breakers in Battery Control Center open. Reset the breakers located near the box.

Auxiliary Start

A. Auxiliary Start fails to operate.

1. Fuse 17 may be blown. Check F17.
2. The Auxiliary battery may be dead. Charge battery.
3. Isolator relay may be defective.
4. Switch or wires may be faulty. Check for 12 volts at J4 pin 2, while pushing switch. If 12 volts is not available, check wiring, if OK, replace the switch.

Ignition Relay

A. The auxiliary powered functions do not operate.

1. Check for 12 volt ignition power coming into printed circuit board on plug J4, pin 11.
2. Check respective fuse.
3. Check for faulty wiring from the ignition switch.



1485 Jacobs Road
DeLand, Florida 32724
386.738.7307 / 1.800.251.2408

SINGLE DISCONNECT BATTERY CONTROL CENTER

SERVICE MANUAL

Fuses

The fuses used on the Battery Control Center are a standard, plastic "ATO", blade (automotive) type. There are 10 positions for fuses on the board. These are fed from five main sources: the Disconnect-Switched Main Battery, Ignition-Switched Main Battery, Disconnect-Switched Auxiliary Battery, and the Auxiliary Battery.

The 10 fuses and their size are as follows:

Fuses:

Fuse No.	Function	Fuse Size	Source	Connection
F1	Reverse Ign	15 Amp	Main Bat	J2 - 6
F2	Ign Sw	7.5 Amp	Main Bat	J2 - 5
F3	Ign Sw	15 Amp	Main Bat	J2 - 4
F4	Ign Sw	10 Amp	Main Bat	J2 - 3
F5	Aux Start Sw	5 Amp	BIRD	J2 - 2
F6	Spare	10 Amp	Disconnected Aux Bat	J4 - 1
F7	Spare	15 Amp	Disconnected Aux Bat	J4 - 4
F8	Spare	15 Amp	Disconnected Aux Bat	J4 - 3
F9	Spare	15 Amp	Disconnected Aux Bat	J4 - 2
F10	Step Power	25 Amp	Disconnected Aux Bat	J4 - 1

Battery Disconnect Fuses:

There are two 5 Amp fuses located on the battery disconnect relay. One of these protects the power lead going to the coach mounted switch and the other protects the lead powering the indicator on the switch panel.

Circuit Breakers

There are two 30 Amp type III (manual reset), circuit breakers. They are connected to the Auxiliary battery through the Disconnect relay. These breakers are intended to connect to the converter and fuse panel within the Auxiliary. These circuit breakers are located near the box. To reset the breakers, press the buttons on the ends. Contact our sales department if the breakers are not present.



1485 Jacobs Road
DeLand, Florida 32724
386.738.7307 / 1.800.251.2408

SINGLE DISCONNECT BATTERY CONTROL CENTER

SERVICE MANUAL

Plugs - Pins & Functions

J1 - Auxiliary Battery Input

J2 - (6 pin) Mate-N-Lok (Mating Housing Amp 640585-1)

Pin	Function	Fuse
1	Aux. Start Switch	
2	Ignition Input	
3	Ignition Switched Power	F4
4	Ignition Switched Power	F3
5	Ignition Switched Power	F2
6	Inverted Ignition Switched Power OR Main Battery	F1

J3 - Main Battery Input

J4 - (5 pin) Mate-N-Lok (Mating Housing Amp 1-480763-0)

Pin	Function	Fuse
1	Power Step	F10
2	Auxiliary Battery Power	F9
3	Auxiliary Battery Power	F8
4	Auxiliary Battery Power	F7
5	Auxiliary Battery Power	F6

J6 - Ground



1485 Jacobs Road
DeLand, Florida 32724
386.738.7307 / 1.800.251.2408

SINGLE DISCONNECT BATTERY CONTROL CENTER

SERVICE MANUAL

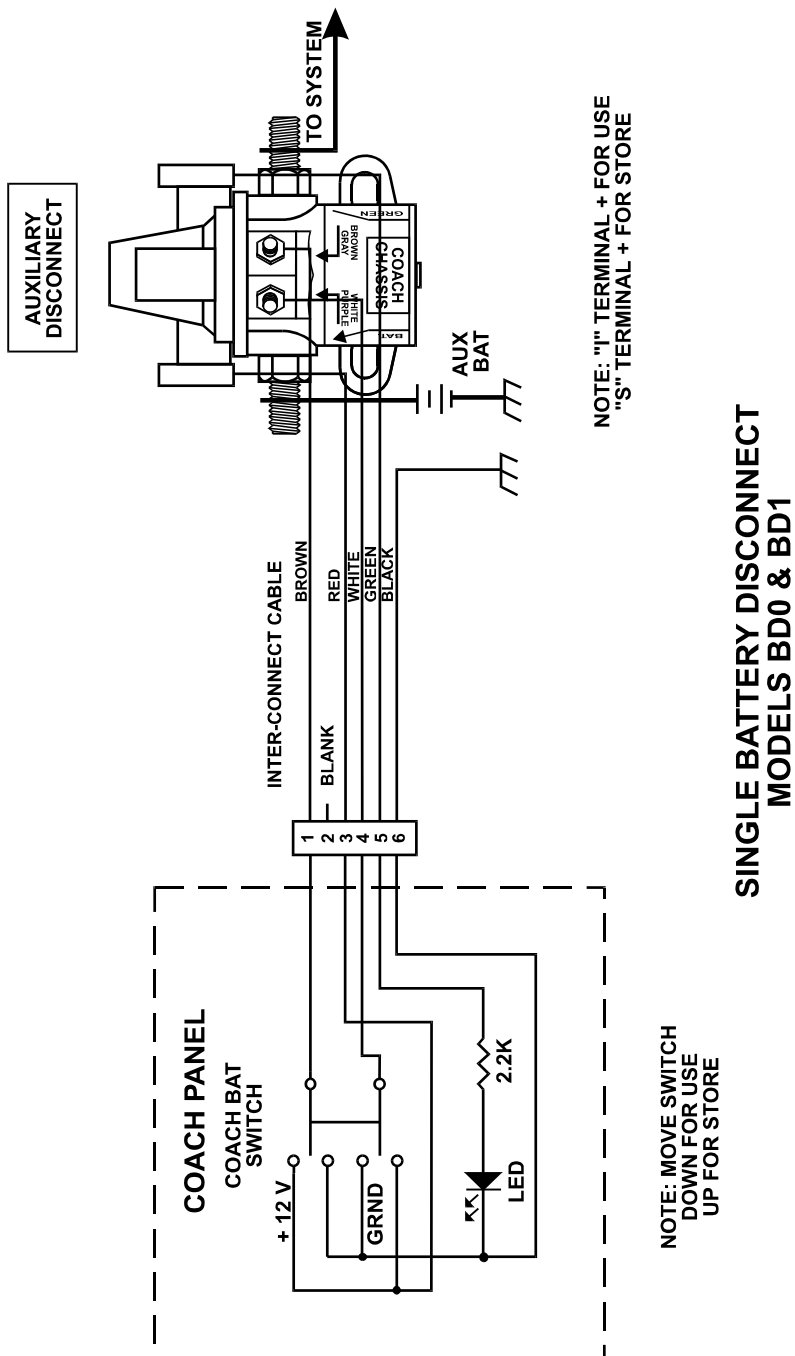
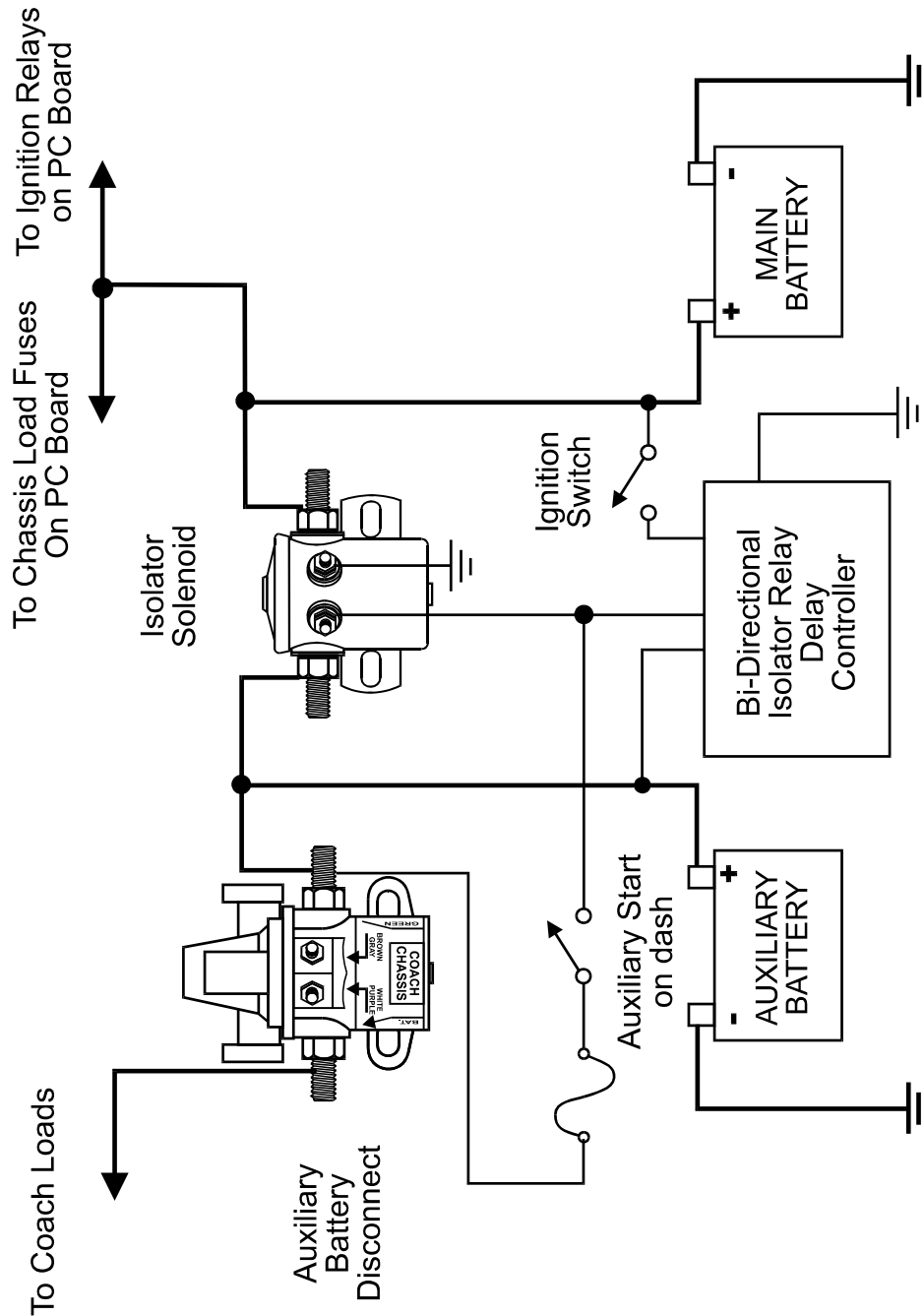


Figure 2

SINGLE DISCONNECT BATTERY CONTROL CENTER

SERVICE MANUAL



Charging/Auxiliary Start System
Figure 3

Figure 3

SINGLE DISCONNECT BATTERY CONTROL CENTER

SERVICE MANUAL

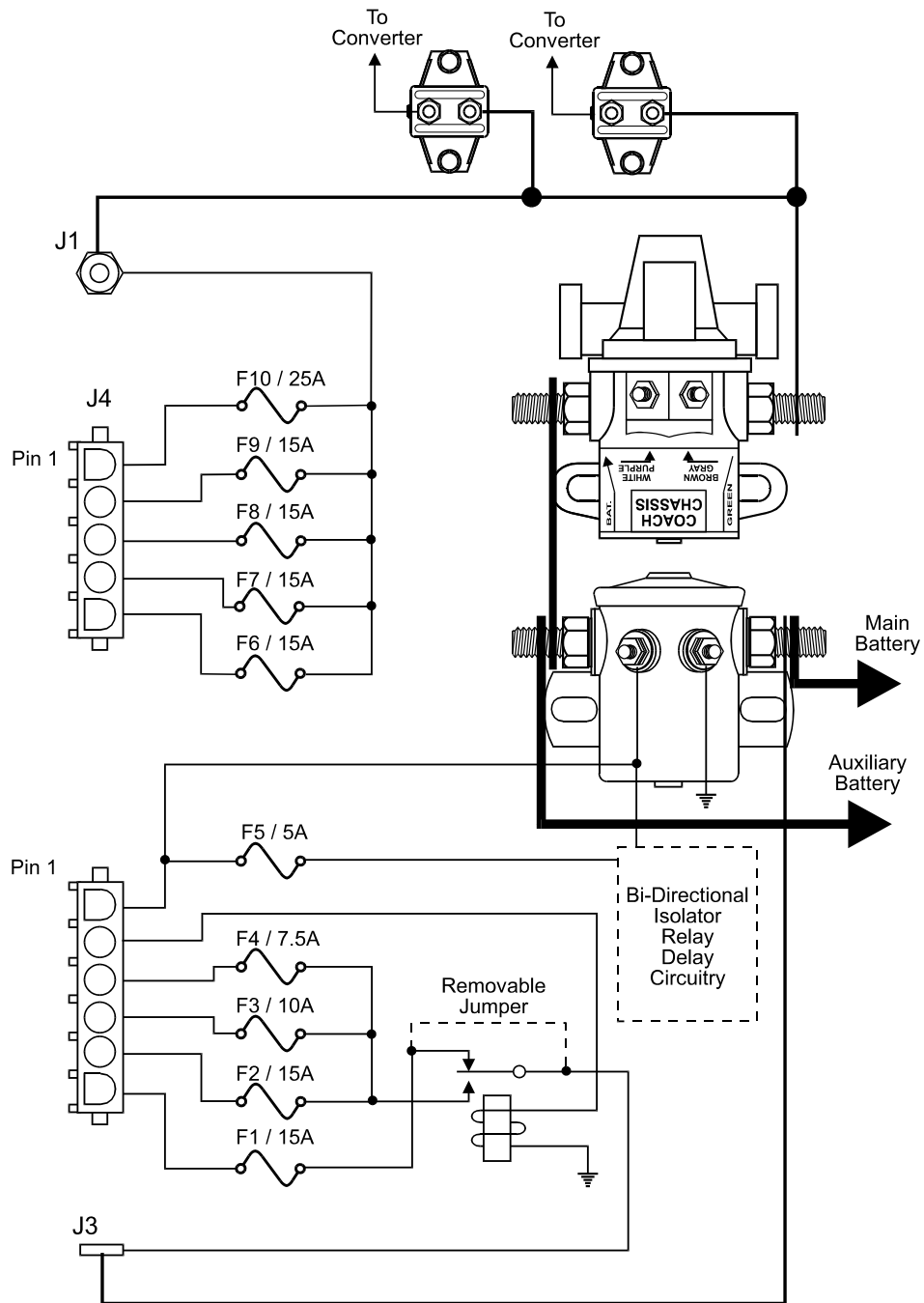


Figure 4