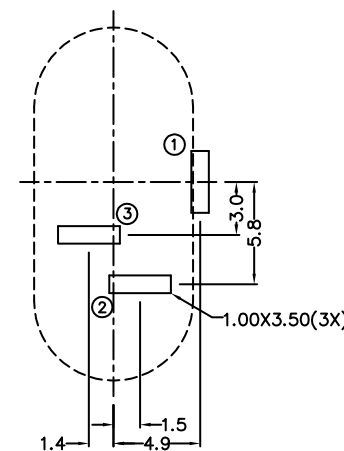


ISOMETRIC VIEW

PIN	ø2.0mm	ø2.5mm
SCHEMATIC		
	1	3
	2	



RECOMMENDED PCB LAYOUT (BOTTOM VIEW)

ELECTRICAL:

RATING: 16VDC / 5 AMP
 CONTACT RESISTANCE: < 30mΩ
 INSULATOR RESISTANCE: > 100MΩ
 DIELECTRIC WITHSTANDING VOLTAGE: 500VAC FOR 1 MIN.
 OPERATING TEMPERATURE: -25°C TO +85°C

MATERIAL:

INSULATOR: PBT (UL94V-0)
 SIGNAL CONTACT: COPPER ALLOY, SILVER PLATED
 GROUND CONTACT: COPPER ALLOY, SILVER PLATED
 TERMINAL: COPPER ALLOY, SILVER PLATED
 MOUNTING PIN: COPPER ALLOY, NICKEL PLATED

HOW TO ORDER:

P 0 0 1 - X 0 0 2 - 0 0 H - Z

CENTER PIN DIAMETER:

6 - 2.0mm
 7 - 2.5mm

BODY STYLE(2.0, 2.5 Diameter):

2 - Top Screw Vertical Mount, Short Body

RoHS COMPLIANT

Rev	Drawn	Checked	Approved	Date
0 Issued	S.E.	S.M.	S.M.	4/5/96
A Revised for RoHS Compliance	B.S.	S.M.	S.M.	2/19/08

SMP TECHNOLOGY, INC.

DC Power Jack, Top Screw Vertical Mount, Short Body, 2.0, 2.5mm Pin Diameter

SCALE: N/A High Current Model

TOL. DEC. .X +/- 0.35 .XX +/- 0.20 .XXX +/- ANGLE +/- 3° UNIT: mm

P/N: P001-X002-00H-Z