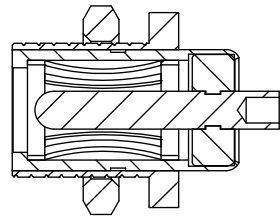
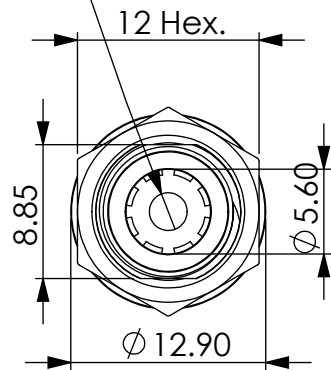
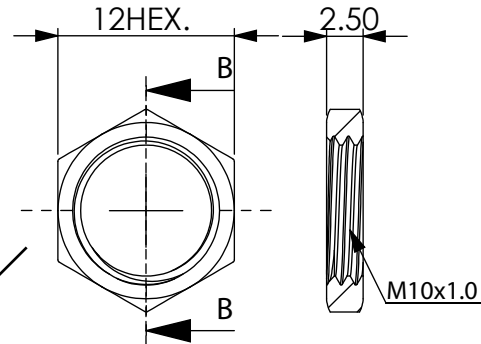
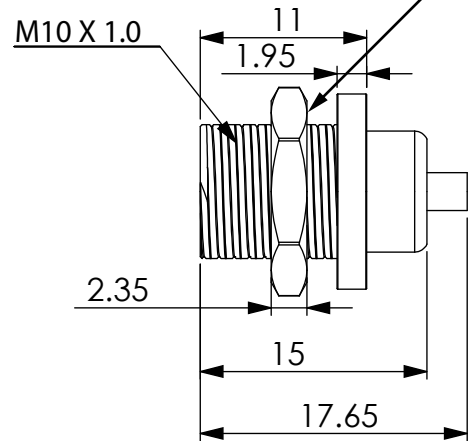


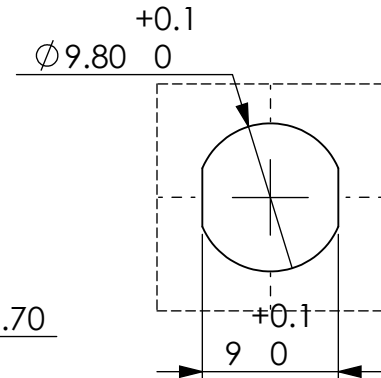
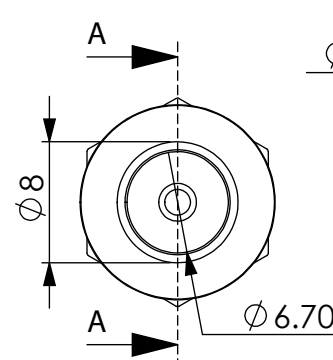
Center Pin Diameter ϕ



SECTION A-A



Nut Part # HW00-P001-002-Z



RECOMMENDED PANEL CUT OUT

ELECTRICAL:

CONTACT RESISTANCE: < 20 milliohm max.
 INSULATOR RESISTANCE: > 100 Megaohm
 RATING: 12 VDC 5 AMP

OPERATING TEMPERATURE: -40°C TO +105°C

MATERIAL:

INSULATOR: ABS (UL94V-0)
 SIGNAL CONTACT: COPPER ALLOY, SILVER PLATED
 GROUND CONTACT: COPPER ALLOY, SILVER PLATED
 TERMINAL: COPPER ALLOY, SILVER PLATED
 MOUNTING PIN: COPPER ALLOY, NICKEL PLATED

HOW TO ORDER:

P 0 0 1 - X 0 0 H - 4 1 H - Z

CENTER PIN DIAMETER:

6 - 2.0mm
 7 - 2.5mm

BODY STYLE(2.0, 2.5 Diameter):

H - Circular Panel Mount; Plastic Body

RoHS COMPLIANT

Rev	Drawn	Checked	Approved	Date
0	S.E.	S.M.	S.M.	4/5/04

SMP TECHNOLOGY, INC.

DC Power Jack, Straight, Panel Mount; Circular; Solder Tail,

SCALE: n/a 2.0, 2.5mm Pin Diameter; High Current Model

TOL. DEC. .X +/- 0.25 .XX +/- 0.10 ANGLE +/- 3° UNIT: mm

P/N: P001-x00H-41H-Z