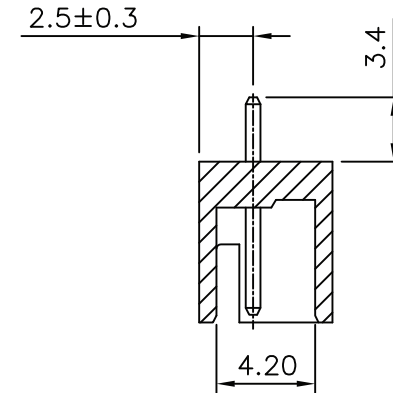
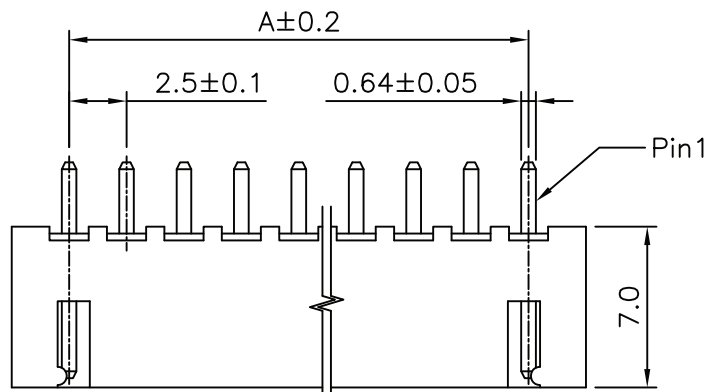


**DIMENSION(mm)**

CONTACTS	A	B
2	2.50	7.50
3	5.00	10.00
4	7.50	12.50
5	10.00	15.00
6	12.50	17.50
7	15.00	20.00
8	17.50	22.50
9	20.00	25.00
10	22.50	27.50
11	25.00	30.00
12	27.50	32.50
13	30.00	35.00
14	32.50	37.50
15	35.00	40.00
16	37.50	42.50
17	40.00	45.00
18	42.50	47.50
19	45.00	50.00
20	47.50	52.50



**ELECTRICAL:**

CURRENT RATING: 3A AC/DC  
 VOLTAGE RATING: 250 VAC  
 CONTACT RESISTANCE: < 20mΩ  
 INSULATOR RESISTANCE: > 1000MΩ  
 DIELECTRIC WITHSTANDING VOLTAGE: 1000VAC FOR 1 MIN.  
 OPERATING TEMPERATURE: -25° C TO +85° C

**MATERIAL:**

CONTACT: COPPER ALLOY  
 INSULATOR: NYLON (UL94V-0)

**HOW TO ORDER:**

W 0 4 0 - X X 0 1 - 0 1 1 - Z

**NUMBER OF CONTACTS:** 02 thru 20  
**DEFINITION:** 1 - STRAIGHT  
**PLATING OVERALL:** 1 - TIN PLATED  
**RoHS COMPLIANT**

Rev	Drawn	Checked	Approved	Date
0 Issued	B.S.	S.M.	S.M.	4/26/07

**SMP TECHNOLOGY, INC.**

JST "XH" Type

SCALE MAT'L FINISH

Pin Friction Locking Header, 2.50mm Pitch, Straight

TOL. DEC. .X +/- 0.35 .XX +/- 0.25 .XXX +/- ANGLE +/- UNIT: mm

P/N: W040-XX01-011-Z