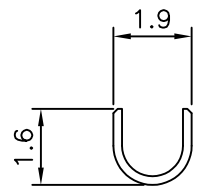
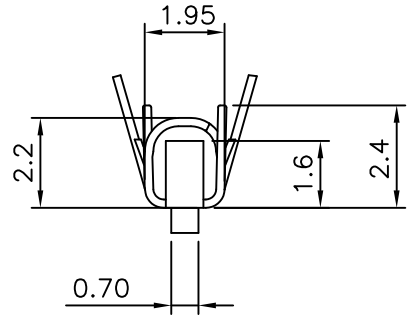


A-A SEC



B-B SEC



C-C SEC

**ELECTRICAL:**

CURRENT RATING: 3A AC/DC  
 VOLTAGE RATING: 125V AC/DC  
 CONTACT RESISTANCE: < 20m Ω  
 INSULATOR RESISTANCE: > 500M Ω  
 DIELECTRIC WITHSTANDING VOLTAGE: 1000VAC FOR 1 MIN.  
 OPERATING TEMPERATURE: -25° C TO +85° C

**MATERIAL:**

CRIMP TERMINAL CONTACT: PHOSPHOR BRONZE  
 HOUSING INSULATOR: NYLON (UL94V-0)

APPLICABLE WIRE: AWG #28 ~ #22

For Use With Housing P/N: W040-XX10-000-Z

**HOW TO ORDER CONTACT:**

W 0 4 0 - 0 0 2 0 - 0 0 1 - Z

**RoHS  
COMPLIANT**

Rev		Drawn	Checked	Approved	Date	<b>SMP TECHNOLOGY, INC.</b>
0	Issued	B.S.	S.M.	S.M.	4/26/07	
						JST "XH" Type
						Crimp Terminal Contact, 2.50mm Pitch
SCALE	MAT'L	FINISH				P/N: W040-0020-001-Z
TOL. DEC.	.X +/- 0.35	.XX +/- 0.25	.XXX +/-	ANGLE +/-	UNIT: mm	Pg: 1