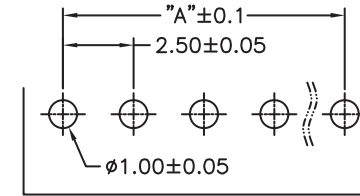
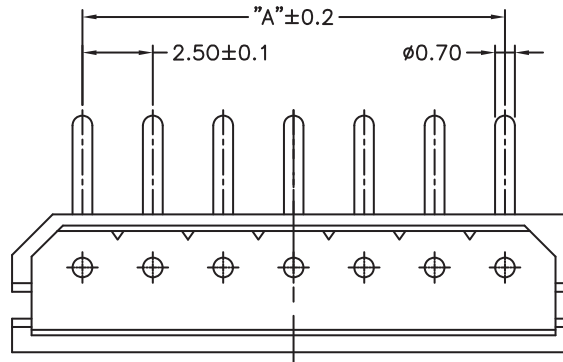
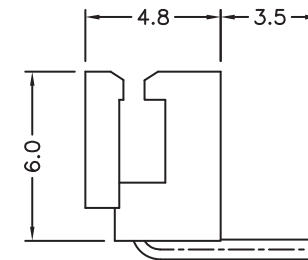
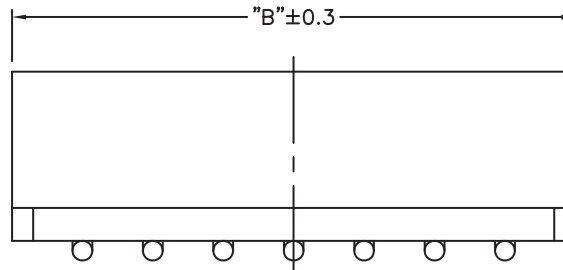


Poles	DIM.A	DIM.B
2P	2.5	7.4
3P	5.0	9.9
4P	7.5	12.4
5P	10.0	14.9
6P	12.5	17.4
7P	15.0	19.9
8P	17.5	22.4
9P	20.0	24.9
10P	22.5	27.4
11P	25.0	29.9
12P	27.5	32.4
13P	30.0	34.9
14P	32.5	37.4
15P	35.0	39.9



Recommended PCB Layout



ELECTRICAL:

CURRENT RATING: 2A
 DIELECTRIC WITHSTANDING VOLTAGE: 500VAC (1min.)
 INSULATOR RESISTANCE: 1000 Megaohms min.
 CONTACT RESISTANCE: 20 Milliohms max.
 OPERATING TEMPERATURE: -25°C to +85°C

HOW TO ORDER:

W 0 4 2 - X X 2 0 - 0 0 0 - Z

NUMBER OF POSITIONS:

02 Thru 15

**RoHS
COMPLIANT**

MATERIAL:

CONTACT: Copper Alloy
 INSULATOR: Nylon 66 UL94V-0

Rev	Drawn	Checked	Approved	Date	
0	B.S.	S.M.	S.M.	12/08/14	SMP TECHNOLOGY, INC.
SCALE: N/A					
TOL. DEC.	.X +/- 0.15	.XX +/- 0.10	.XXX +/- 0.005	ANGLE +.45 / -.15	UNIT: in / mm
P/N: W042-XX20-000-Z					Pg: 1