

Tahoe 8724

Cavium-MIPS Based Rackmount Networking Appliance

Product Brief

OVERVIEW

Interface Masters Technologies presents Tahoe 8724, a highly flexible 1U networking appliance designed for enterprise installations. Tahoe 8724 is based on Cavium 64 bit MIPS technology. It supports CN78xx family of processors. It features two hot swappable IO modules. Each IO modules support either four ports of 10G or 1 ports of 4G fiber. Tahoe 8724 comes with two redundant hot swappable power suppliers and four field replaceable fans.

Interface Masters provides support for the Cavium SDK on multiple Linux distributions. Additional software and firmware enables rapid application development. Interface Masters offers Level 1 and 2 support as well as software application development capabilities.

Target applications include:

- ❖ Network Security Appliance and offloads
- ❖ NFV (Network Function Virtualization)
- ❖ SDN (Software Defined Networks)
- ❖ SSL/IPSec offload processing
- ❖ 3G / 4G / LTE Gateways
- ❖ UTM (Unified Threat Management)
- ❖ IDS (Intrusion Detection Systems)
- ❖ IPS (Intrusion Prevention System)
- ❖ DLP (Data Loss Prevention)
- ❖ WAN Optimization
- ❖ ADC (Application Delivery Controllers)
- ❖ Wireless Controllers
- ❖ Load Balancers



PRODUCT FEATURES

CPU

- Cavium OCTEON III CN7870 (24 Core at 1,600 / 1,800 / 2,000 / 2,500 MHz)
- Cavium OCTEON III CN7880 (32 Core at 1,600 / 1,800 / 2,000 / 2,500 MHz)
- Cavium OCTEON III CN7890 (48 Core at 1,600 / 1,800 / 2,000 / 2,500 MHz)

DRAM

- 4x 72 bit with ECC, up to 64GB DDR III, four SODIMM

None Volatile Memory

- SPI NOR EEPROM
- eMMC
- Micro SD

I/O Interfaces

- 1 x 10/100/1000 management port
- 1 x RS232 console port
- 2X USB 3.0
- 4 x 10GE SFP+ ports
- 2 x Hot Swappable IO modules (up to 8 x 10G or 2 x 40G)

Functions

- Real time clock
- Temperature sensor
- Optional TPM

Power Supplies

- Two hot swappable redundant power supplies

Fans

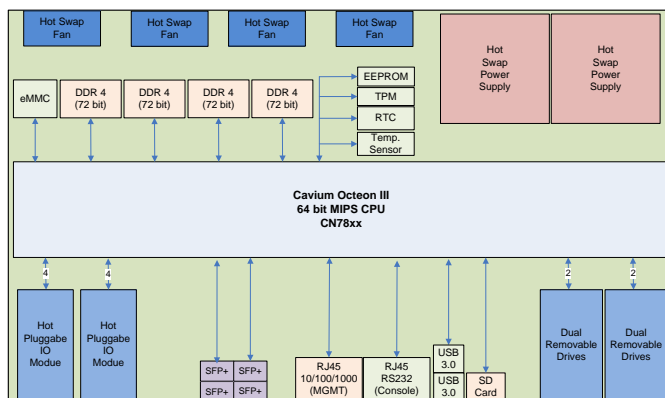
- Four field replaceable fans

IO Modules

- Two hot swappable IO modules

Operating System

- Cavium SDK



Block Diagram of Tahoe 8724

ENVIRONMENTAL		
Temperature	Operating	0° to 40 °C
	Storage	-40° to +85° C
Humidity	Operating	10 to 90% relative humidity non-condensing
	Storage	5 to 95% relative humidity non-condensing

DIMENSIONS		
	Inches	Millimeter
Length	17.50	445
Height	1.73	44
Width	17.25	438

IO MODULE ORDERING NUMBER	
Tahoe8724-M01	IO module with four 1/10G SFP+ ports
Tahoe8724-M02	IO module with one 40G QSFP+ port

STANDARD ACCESSORIES	
Tahoe8724-ACS01	Mounting ear

ORDERING INFORMATION	
Part Number	Description
Tahoe8724-CN7870-1600	Tahoe8724 with OCTEON III CN7870 at 1,600 MHz with no IO module
Tahoe8724-CN7870-1800	Tahoe8724 with OCTEON III CN7870 at 1,800 MHz with no IO module
Tahoe8724-CN7870-2000	Tahoe8724 with OCTEON III CN7870 at 2,000 MHz with no IO module
Tahoe8724-CN7870-2500	Tahoe8724 with OCTEON III CN7870 at 2,500 MHz with no IO module
Tahoe8724-CN7880-1600	Tahoe8724 with OCTEON III CN7880 at 1,600 MHz with no IO module
Tahoe8724-CN7880-1800	Tahoe8724 with OCTEON III CN7880 at 1,800 MHz with no IO module
Tahoe8724-CN7880-2000	Tahoe8724 with OCTEON III CN7880 at 2,000 MHz with no IO module
Tahoe8724-CN7880-2500	Tahoe8724 with OCTEON III CN7880 at 2,500 MHz with no IO module
Tahoe8724-CN7890-1600	Tahoe8724 with OCTEON III CN7890 at 1,600 MHz with no IO module
Tahoe8724-CN7890-1800	Tahoe8724 with OCTEON III CN7890 at 1,800 MHz with no IO module
Tahoe8724-CN7890-2000	Tahoe8724 with OCTEON III CN7890 at 2,000 MHz with no IO module
Tahoe8724-CN7890-2500	Tahoe8724 with OCTEON III CN7890 at 2,500 MHz with no IO module

CUSTOMIZATION SERVICES

Hardware, Firmware, Linux O/S and application code development services are available.



ABOUT INTERFACE MASTERS TECHNOLOGIES, INC.

Interface Masters Technologies is a long term Cavium partner and leading provider of high speed networking solutions focused on Gigabit, 10 Gigabit, 40 Gigabit and 100 Gigabit Ethernet networking solutions. For over 20 years, Interface Masters Technologies has been providing innovative networking solutions with customization services to OEMs, large enterprises and sophisticated end users. Interface Masters Technologies provides Ethernet switches, appliances, server adapter cards with high port density, networking offload and bypass functionality. Company headquarters are located in San Jose, CA with satellite offices in Hong Kong and Europe.

Address: 150 East Brokaw Rd., San Jose, CA 95112
 Phone: 408-441-9341
 Fax: 815-364-0888
 Email: sales@interfacemasters.com
 Web: www.interfacemasters.com

Copyright © 2017 Interface Masters Technologies, Inc.
 Product specifications subject to change without notice
 Rev A

Interface Masters
 TECHNOLOGIES
 Innovative Network Solutions