

InterfaceMasters
◀ INCORPORATED ▶

Niagara 2245

PC-104 Plus

Two Gigabit Ethernet Copper Ports, 1000 Base – T, with Bypass

Niagara 2245 is designed with a built-in programmable bypass circuit to provide maximum up time for the network. The Bypass circuit takes the Niagara 2245 ports off line in case of either power or software failure. The bypass circuit works in absence of power.

Niagara 2245 Gigabit Ethernet Server Adapters is built on Intel's Gigabit technology and Interface Masters' sterling design and customer service.

Features

- Intel's 82546 controller
- Two integrated PHYs for 10/100/1000 Mb/s full- and half-duplex operation
- IEEE 802.3ab, 802.3u, 802.3x compliant
- Host offloading – TCP/IP/UDP checksum, TCP segmentation and advanced packet filtering
- Two RJ45 Connectors

Dimension:

PC-104 plus form factor

Length, 96 mm

Width, 90 mm

How to reach us

Interface Masters, Inc.

2381 Zanker Road, Suite 130, San Jose, CA 95131

Phone: 408-456-2545 x10

Fax: 815-364-0888

E-mail: info@interfacemasters.com

Home page: <http://www.interfacemasters.com>

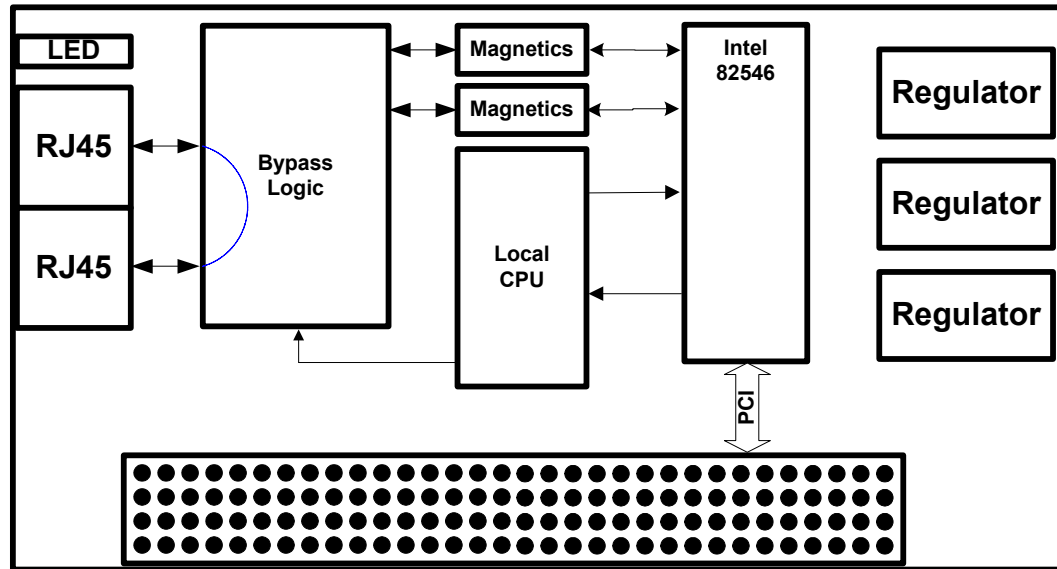


Figure 1 Block Diagram

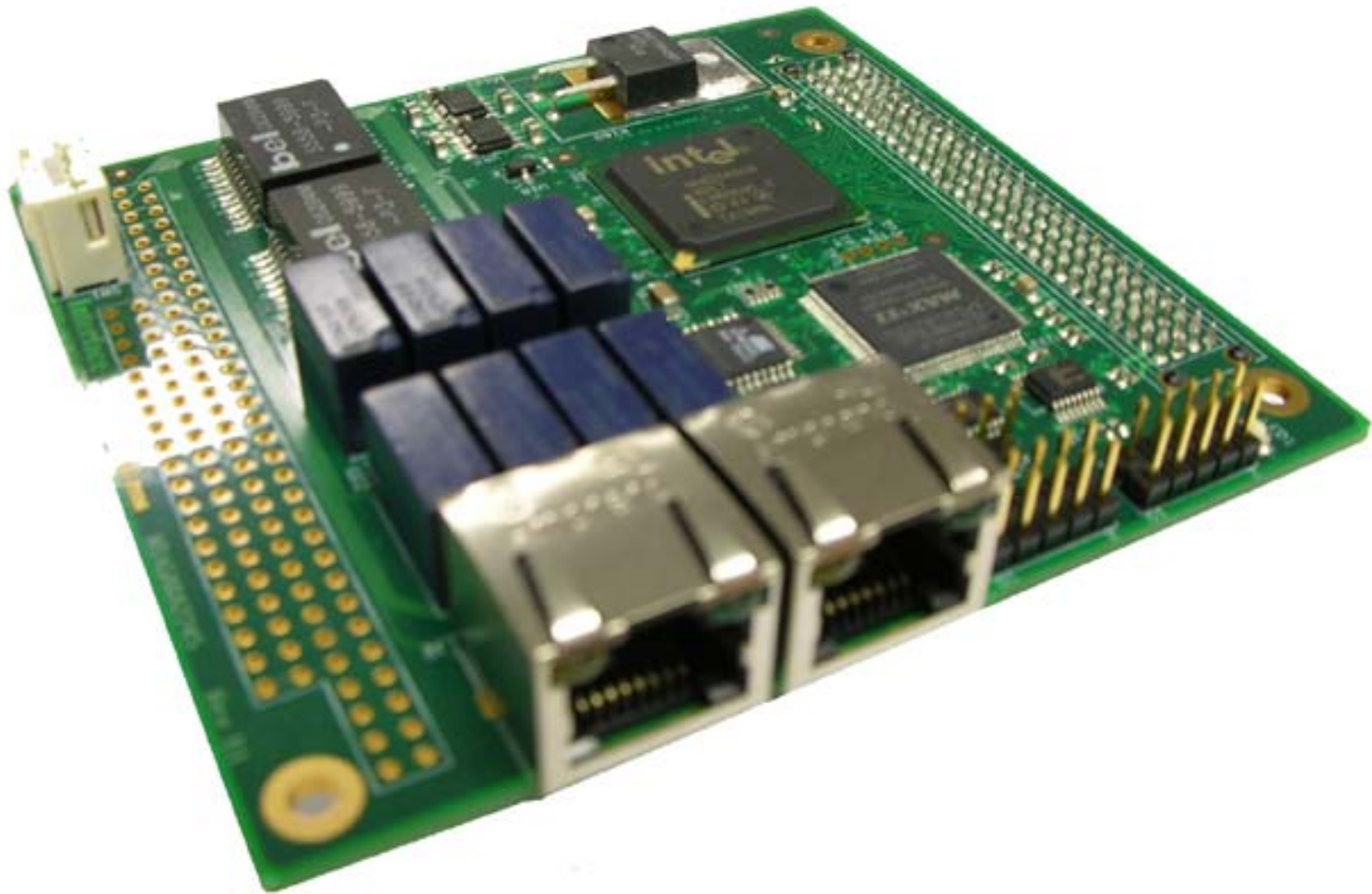


Figure 2 Niagara 2245