

Tahoe 8718

Oceon-Powered Low Cost Desktop Networking Appliance

Product Brief

OVERVIEW

Tahoe 8718 from Interface Masters Technologies is a compact, highly flexible networking appliance designed for SOHO and branch office installations. The processor complex is built on a Cavium CN70xx and CN71xx processor. It features low power consumption, a small form factor, and five RJ45 ports for 10/100/1000 Ethernet. A mini USB port can be used for console operation. This unit comes with an optional GPS port & TPM. Customization services are offered.

Interface Masters provides support for the Cavium SDK on multiple Linux distributions. Additional software and firmware enables rapid application development. Interface Masters offers Level 1 and 2 support as well software application development capabilities.

Target Applications include Access Points, Network Security Appliances such as UTM (Unified Treat Management), IDS (Intrusion Detection Systems), IPS (intrusion Prevention System), DLP (Data Loss Prevention) & CMS (Content Management Systems), Networking Offload assist, SSL/IPSec offload processing, WAN optimization, Application Delivery Controllers and custom networking appliances.



PRODUCT FEATURES

CPU

- Cavium Octeon III CN7010 (1 Core at 800 / 1,000 / 1,200 MHz)
- Cavium Octeon III CN7020 (2 Core at 800 / 1,000 / 1,200 MHz)
- Cavium Octeon III CN7120 (2 Core at 1,000 / 1,200 / 1,600 MHz)
- Cavium Octeon III CN7125 (3 Core at 800 / 1,000 / 1,200 / 1,600 MHz)
- Cavium Octeon III CN7130 (4 Core at 800 / 1,000 / 1,200 / 1,600 MHz)

DRAM

- 36 bit with ECC, up to 8GB DDR III on board

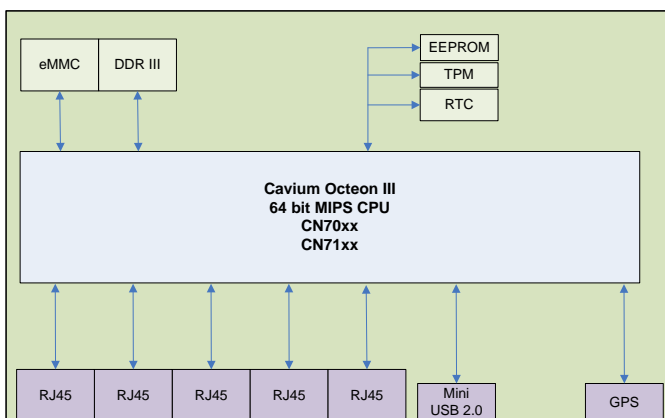
None Volatile Memory

- SPI NOR EEPROM
- eMMC (32 GB)
- Micro SD

I/O Interfaces

- 5x Ethernet 10/100/1000
- 1X USB 2.0

Functions



Block Diagram of Tahoe 8718

- Real time clock
- Temperature sensor
- Optional GPS
- Optional TPM

Power Supply

- External brick

Operating System

- Cavium SDK

ENVIRONMENTAL		
Temperature	Operating	0° to 40 °C
	Storage	-40° to +85° C
Humidity	Operating	10 to 90% relative humidity non-condensing
	Storage	5 to 95% relative humidity non-condensing

DIMENSIONS		
	Inches	Millimeter
Length	5.25	133
Height	1.73	44
Width	6.75	171

CUSTOMIZATION SERVICES

Hardware, Firmware, Linux O/S and application code development services are available.



ORDERING INFORMATION	
Part Number	Description
Tahoe8718-CN7010-800	Tahoe8718 with Octeon III CN7010 at 800 MHz
Tahoe8718-CN7010-1000	Tahoe8718 with Octeon III CN7010 at 1000 MHz
Tahoe8718-CN7010-1200	Tahoe8718 with Octeon III CN7010 at 1200 MHz
Tahoe8718-CN7020-800	Tahoe8718 with Octeon III CN7020 at 800 MHz
Tahoe8718-CN7020-1000	Tahoe8718 with Octeon III CN7020 at 1000 MHz
Tahoe8718-CN7020-1200	Tahoe8718 with Octeon III CN7020 at 1200 MHz
Tahoe8718-CN7120-1000	Tahoe8718 with Octeon III CN7120 at 1000 MHz
Tahoe8718-CN7120-1200	Tahoe8718 with Octeon III CN7120 at 1200 MHz
Tahoe8718-CN7120-1600	Tahoe8718 with Octeon III CN7120 at 1600 MHz
Tahoe8718-CN7125-800	Tahoe8718 with Octeon III CN7125 at 800 MHz
Tahoe8718-CN7125-1000	Tahoe8718 with Octeon III CN7125 at 1000 MHz
Tahoe8718-CN7125-1200	Tahoe8718 with Octeon III CN7125 at 1200 MHz
Tahoe8718-CN7125-1600	Tahoe8718 with Octeon III CN7125 at 1600 MHz
Tahoe8718-CN7130-800	Tahoe8718 with Octeon III CN7130 at 800 MHz
Tahoe8718-CN7130-1000	Tahoe8718 with Octeon III CN7130 at 1000 MHz
Tahoe8718-CN7130-1200	Tahoe8718 with Octeon III CN7130 at 1200 MHz
Tahoe8718-CN7130-1600	Tahoe8718 with Octeon III CN7130 at 1600 MHz

ABOUT INTERFACE MASTERS TECHNOLOGIES, INC.

Interface Masters Technologies is a long term Cavium partner and leading provider of high speed networking solutions focused on Gigabit, 10 Gigabit, 40 Gigabit and 100 Gigabit Ethernet networking solutions. For over 20 years, Interface Masters Technologies has been providing innovative networking solutions with customization services to OEMs, large enterprises and sophisticated end users. Interface Masters Technologies provides Ethernet switches, appliances, server adapter cards with high port density, networking offload and bypass functionality. Company headquarters are located in San Jose, CA with satellite offices in Hong Kong and Europe.