

## Tahoe 8605

Cavium-MIPS Based Desktop Networking Appliance

Product Brief

### OVERVIEW

Interface Masters Technologies presents Tahoe 8605, a highly flexible and expandable desktop networking appliance with the lowest OPEX. Tahoe 8605 is based on Cavium 64 bit MIPS processors. It supports CN63xx and CN66xx family of processors. It features low power consumption, a small form factor, four 1GE copper ports with optional bypass. Interface Masters Technologies provides support for the Cavium SDK on multiple Linux distributions. Additional software and firmware enables rapid application development. Interface Masters offers Level 1 and 2 support as well as software application development capabilities.

Target applications include vCPE, vGW, IOT GW, Access Points, SMB router Network Security Appliances such as:

- UTM (Unified Treat Management),
- IDS (Intrusion Detection Systems),
- IPS (intrusion Prevention System),
- DLP (Data Loss Prevention), and
- CMS (Content Management Systems)



### PRODUCT FEATURES

#### CPU

- Cavium OCTEON II CN6320 (2 Core at 800 / 1,000 / 1,200 / 1,500 MHz)
- Cavium OCTEON II CN6330 (4 Core at 800 / 1,000 / 1,200 / 1,500 MHz)
- Cavium OCTEON II CN6335 (6 Core at 800 / 1,000 / 1,200 / 1,500 MHz)
- Cavium OCTEON II CN6630 (4 Core at 800 / 1,100 / 1,200 / 1,300 MHz)
- Cavium OCTEON II CN6635 (6 Core at 800 / 1,100 / 1,200 / 1,300 MHz)
- Cavium OCTEON II CN6640 (8 Core at 800 / 1,100 / 1,200 / 1,300 MHz)
- Cavium OCTEON II CN6645 (10 Core at 800 / 1,100 / 1,200 / 1,300 MHz)

#### DRAM

- 1x 72 bit with ECC, DDR III

#### None Volatile Memory

- SPI NOR EEPROM2)
- 1x SATA II drive

#### I/O Interfaces

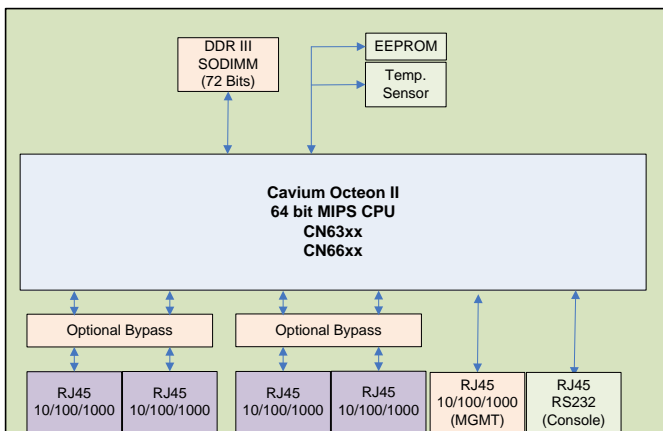
- 4 x 10/100/1000 Copper with Optional bypass
- 1 x 10/100/1000 Management port
- 1 x RS232 console port

#### Power Supplies

- Two external redundant power bricks

#### Operating System

- Cavium SDK



Block Diagram of Tahoe 8605

ENVIRONMENTAL		
Temperature	Operating	0° to 40 °C
	Storage	-40° to +85° C
Humidity	Operating	10 to 90% relative humidity non-condensing
	Storage	5 to 95% relative humidity non-condensing

DIMENSIONS		
	Inches	Millimeter
Length	10.00	254
Height	1.73	44
Width	7.50	190

STANDARD ACCESSORIES	
Tahoe8605-ACS01	Mounting ear

OPTIONAL ACCESSORIES	
Tahoe8605-ACS02	19" Rack mounting tray

## CUSTOMIZATION SERVICES

Hardware, Firmware, Linux O/S and application code development services are available.



ORDERING INFORMATION	
Part Number	Description
Tahoe8605-CN6320-800	Tahoe8605 with OCTEON II CN6320 at 800 MHz
Tahoe8605-CN6320-1000	Tahoe8605 with OCTEON II CN6320 at 1,000 MHz
Tahoe8605-CN6320-1200	Tahoe8605 with OCTEON II CN6320 at 1,200 MHz
Tahoe8605-CN6320-1500	Tahoe8605 with OCTEON II CN6320 at 1,500 MHz
Tahoe8605-CN6330-800	Tahoe8605 with OCTEON II CN6330 at 800 MHz
Tahoe8605-CN6330-1000	Tahoe8605 with OCTEON II CN6330 at 1,000 MHz
Tahoe8605-CN6330-1200	Tahoe8605 with OCTEON II CN6330 at 1,200 MHz
Tahoe8605-CN6330-1500	Tahoe8605 with OCTEON II CN6330 at 1,500 MHz
Tahoe8605-CN6335-800	Tahoe8605 with OCTEON II CN6335 at 800 MHz
Tahoe8605-CN6335-1000	Tahoe8605 with OCTEON II CN6335 at 1,000 MHz
Tahoe8605-CN6335-1200	Tahoe8605 with OCTEON II CN6335 at 1,200 MHz
Tahoe8605-CN6335-1500	Tahoe8605 with OCTEON II CN6335 at 1,500 MHz
Tahoe8605-CN6630-800	Tahoe8605 with OCTEON II CN6630 at 800 MHz
Tahoe8605-CN6630-1100	Tahoe8605 with OCTEON II CN6630 at 1,100 MHz

Ordering Information, continued on next page.

## ABOUT INTERFACE MASTERS TECHNOLOGIES, INC.

Interface Masters Technologies is a long term Cavium partner and leading provider of high speed networking solutions focused on Gigabit, 10 Gigabit, 40 Gigabit and 100 Gigabit Ethernet networking solutions. For over 20 years, Interface Masters Technologies has been providing innovative networking solutions with customization services to OEMs, large enterprises and sophisticated end users. Interface Masters Technologies provides Ethernet switches, appliances, server adapter cards with high port density, networking offload and bypass functionality. Company headquarters are located in San Jose, CA with satellite offices in Hong Kong and Europe.

Address: 150 East Brokaw Rd., San Jose, CA 95112  
 Phone: 408-441-9341  
 Fax: 815-364-0888  
 Email: [sales@interfacemasters.com](mailto:sales@interfacemasters.com)  
 Web: [www.interfacemasters.com](http://www.interfacemasters.com)

Copyright © 2017 Interface Masters Technologies, Inc.  
 Product specifications subject to change without notice  
 Rev A

**Interface Masters**  
 TECHNOLOGIES  
 Innovative Network Solutions

ORDERING INFORMATION	
Part Number	Description
Tahoe8605-CN6630-1200	Tahoe8605 with OCTEON II CN6630 at 1,200 MHz
Tahoe8605-CN6630-1300	Tahoe8605 with OCTEON II CN6630 at 1,300 MHz
Tahoe8605-CN6635-800	Tahoe8605 with OCTEON II CN6635 at 800 MHz
Tahoe8605-CN6635-1100	Tahoe8605 with OCTEON II CN6635 at 1,100 MHz
Tahoe8605-CN6635-1200	Tahoe8605 with OCTEON II CN6635 at 1,200 MHz
Tahoe8605-CN6635-1300	Tahoe8605 with OCTEON II CN6635 at 1,300 MHz
Tahoe8605-CN6640-800	Tahoe8605 with OCTEON II CN6640 at 800 MHz
Tahoe8605-CN6640-1100	Tahoe8605 with OCTEON II CN6640 at 1,100 MHz
Tahoe8605-CN6640-1200	Tahoe8605 with OCTEON II CN6640 at 1,200 MHz
Tahoe8605-CN6640-1300	Tahoe8605 with OCTEON II CN6640 at 1,300 MHz
Tahoe8605-CN6645-800	Tahoe8605 with OCTEON II CN6645 at 800 MHz
Tahoe8605-CN6645-1100	Tahoe8605 with OCTEON II CN6645 at 1,100 MHz
Tahoe8605-CN6645-1200	Tahoe8605 with OCTEON II CN6645 at 1,200 MHz
Tahoe8605-CN6645-1300	Tahoe8605 with OCTEON II CN6645 at 1,300 MHz

## ABOUT INTERFACE MASTERS TECHNOLOGIES, INC.

Interface Masters Technologies is a long term Cavium partner and leading provider of high speed networking solutions focused on Gigabit, 10 Gigabit, 40 Gigabit and 100 Gigabit Ethernet networking solutions. For over 20 years, Interface Masters Technologies has been providing innovative networking solutions with customization services to OEMs, large enterprises and sophisticated end users. Interface Masters Technologies provides Ethernet switches, appliances, server adapter cards with high port density, networking offload and bypass functionality. Company headquarters are located in San Jose, CA with satellite offices in Hong Kong and Europe.

Address: 150 East Brokaw Rd., San Jose, CA 95112  
 Phone: 408-441-9341  
 Fax: 815-364-0888  
 Email: [sales@interfacemasters.com](mailto:sales@interfacemasters.com)  
 Web: [www.interfacemasters.com](http://www.interfacemasters.com)

Copyright © 2017 Interface Masters Technologies, Inc.  
 Product specifications subject to change without notice  
 Rev A

**Interface Masters**  
 TECHNOLOGIES  
 Innovative Network Solutions