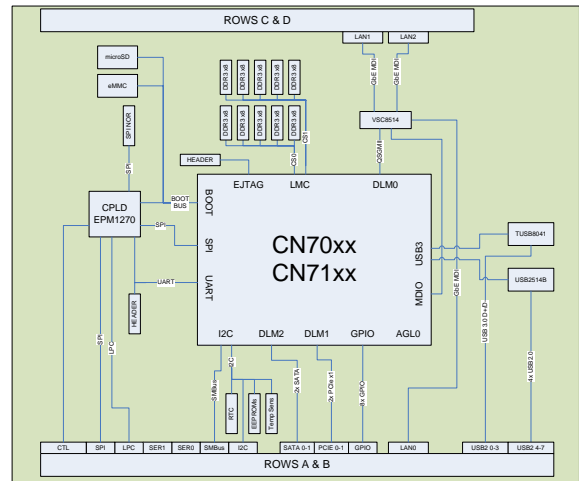
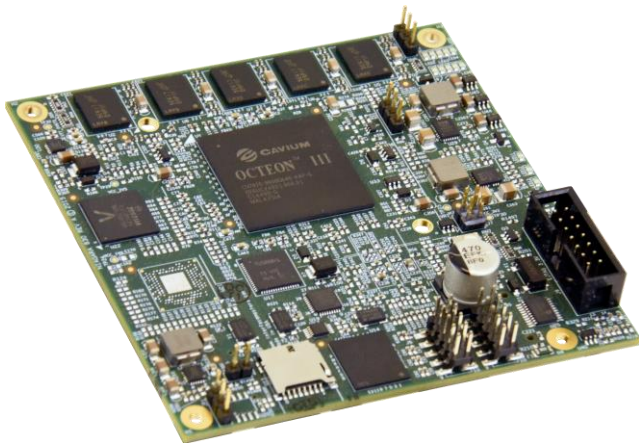


Sierra 730-T6

Cavium Octeon III on COM Express

Product Brief



Block Diagram of Sierra 730-T6

APPLICATIONS

- General-purpose embedded computing systems in industrial, military and aerospace markets
- Control-plane applications in networking, telecom/datacom and wireless infrastructure

PRODUCT FEATURES

Form Factor

- COM Express Compact, Type 6
95mm x 95 mm (3.74in x 3.74in)

CPU

- Cavium Octeon III CN7010
(1 Core at 800 / 1,000/ 1,200 MHz)
- Cavium Octeon III CN7020
(2 Core at 800 / 1,000/ 1,200 MHz)
- Cavium Octeon III CN7120
(2 Core at 1,000/ 1,200 / 1,600 MHz)
- Cavium Octeon III CN7125
(3 Core at 800/1,000/ 1,200 / 1,600 MHz)
- Cavium Octeon III CN7130
(4 Core at 800/1,000/ 1,200 / 1,600 MHz)

DRAM

- 36 bit with ECC, up to 8 GB DDR III on board

None Volatile Memory

- SPI NOR EEPROM
- eMMC (32 GB)
- Micro SD

I/O Interfaces

- 2 x PCIe x1
- 1 x Ethernet 10/100/1000
- 4 x USB 3.0
- 4 x USB 2.0
- 2 x SATA III
- LPC bus
- SPI
- I²C bus
- SM bus
- SDIO
- 2x UART
- 8 x GPIO

Functions

- Real time clock
- Temperature sensor

Operating System

- Linux

Power Consumption

- See User's Guide for full details

ENVIRONMENTAL		
Temperature	Operating	0° to 45 °C
	Storage	-40° to +85° C
Humidity	Operating	10 to 90% relative humidity non-condensing
	Storage	5 to 95% relative humidity non-condensing

ACCESSORIES	
Part Number	Description
Sierra 13166	Carrier board for Sierra 730-T6

CUSTOMIZATION SERVICES

Hardware, Firmware, Linux O/S and application code development services are available.



ORDERING INFORMATION	
Part Number	Description
Sierra 730-T6-CN7010-800	Sierra 730-T6 with Oction III CN7010 at 800 MHz
Sierra 730-T6-CN7010-1000	Sierra 730-T6 with Oction III CN7010 at 1000 MHz
Sierra 730-T6-CN7010-1200	Sierra 730-T6 with Oction III CN7010 at 1200 MHz
Sierra 730-T6-CN7020-800	Sierra 730-T6 with Oction III CN7020 at 800 MHz
Sierra 730-T6-CN7020-1000	Sierra 730-T6 with Oction III CN7020 at 1000 MHz
Sierra 730-T6-CN7020-1200	Sierra 730-T6 with Oction III CN7020 at 1200 MHz
Sierra 730-T6-CN7120-1000	Sierra 730-T6 with Oction III CN7120 at 1000 MHz
Sierra 730-T6-CN7120-1200	Sierra 730-T6 with Oction III CN7120 at 1200 MHz
Sierra 730-T6-CN7120-1600	Sierra 730-T6 with Oction III CN7120 at 1600 MHz
Sierra 730-T6-CN7125-800	Sierra 730-T6 with Oction III CN7125 at 800 MHz
Sierra 730-T6-CN7125-1000	Sierra 730-T6 with Oction III CN7125 at 1000 MHz
Sierra 730-T6-CN7125-1200	Sierra 730-T6 with Oction III CN7125 at 1200 MHz
Sierra 730-T6-CN7125-1600	Sierra 730-T6 with Oction III CN7125 at 1600 MHz
Sierra 730-T6-CN7130-800	Sierra 730-T6 with Oction III CN7130 at 800 MHz
Sierra 730-T6-CN7130-1000	Sierra 730-T6 with Oction III CN7130 at 1000 MHz
Sierra 730-T6-CN7130-1200	Sierra 730-T6 with Oction III CN7130 at 1200 MHz
Sierra 730-T6-CN7130-1600	Sierra 730-T6 with Oction III CN7130 at 1600 MHz

ABOUT INTERFACE MASTERS TECHNOLOGIES, INC.

Interface Masters Technologies is a long term Cavium partner and leading provider of high speed networking solutions focused on Gigabit, 10 Gigabit, 40 Gigabit and 100 Gigabit Ethernet networking solutions. For over 20 years, Interface Masters Technologies has been providing innovative networking solutions with customization services to OEMs, large enterprises and sophisticated end users. Interface Masters Technologies provides Ethernet switches, appliances, server adapter cards with high port density, networking offload and bypass functionality. Company headquarters are located in San Jose, CA with satellite offices in Hong Kong and Europe.